

# ↗ DOMETIC

# COOLING BOXES

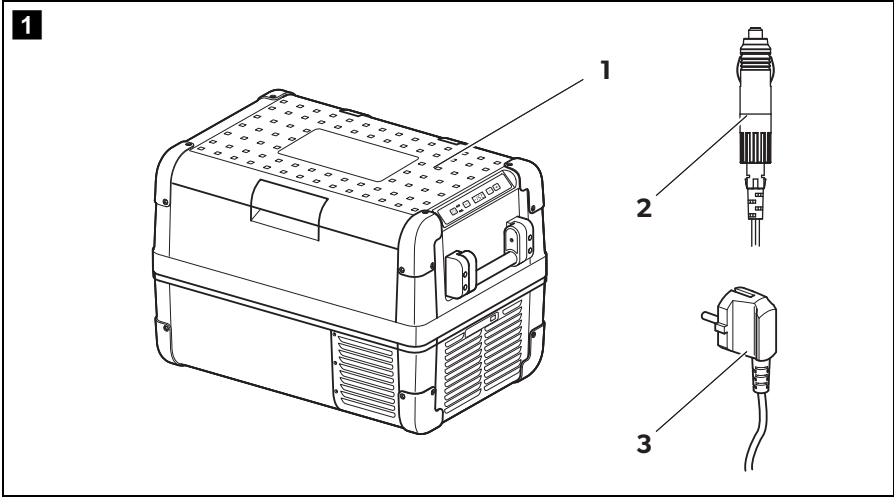
# COOLFREEZE



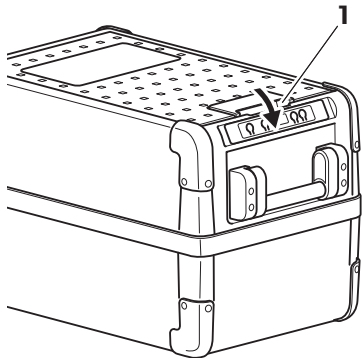
CFX28, CFX35W, CFX40W, CFX50W, CFX65W, CFX65DZ, CFX100W

EN	<b>Compressor Cooler</b> Operating manual . . . . .	7
FR	<b>Glacière à compression</b> Notice d'utilisation . . . . .	31
ES	<b>Nevera por compresor</b> Instrucciones de uso . . . . .	56
PT	<b>Geleira com compressor</b> Manual de instruções . . . . .	81

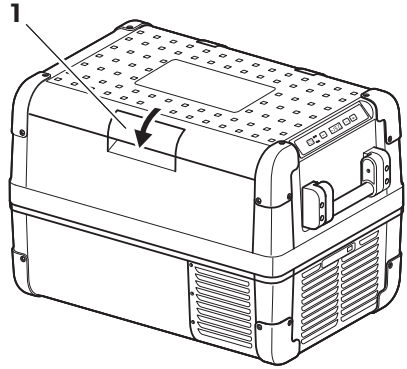




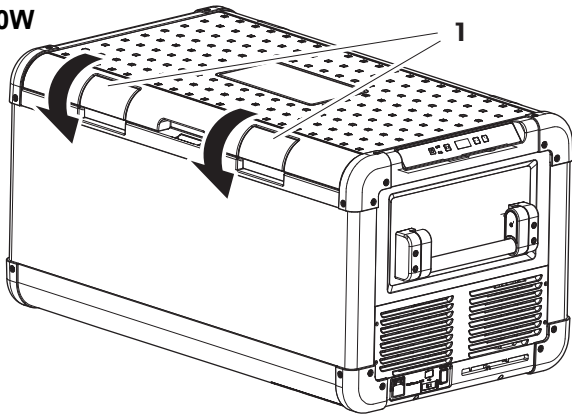
**2** CFX28, CFX35W, CFX40W

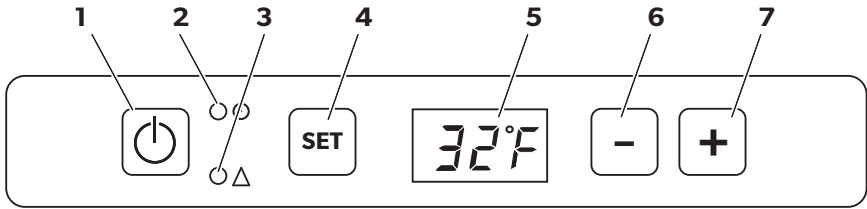
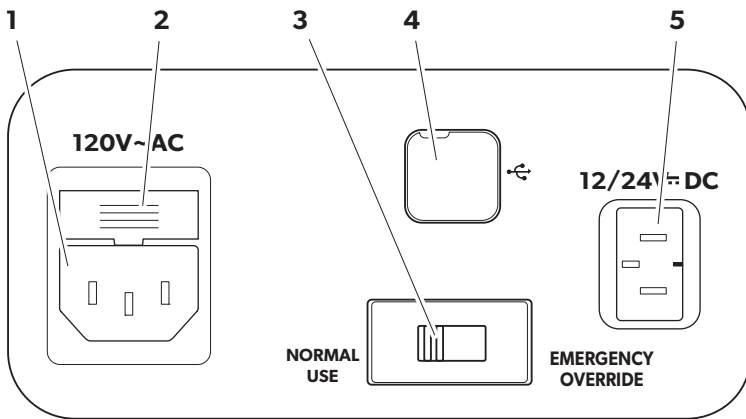


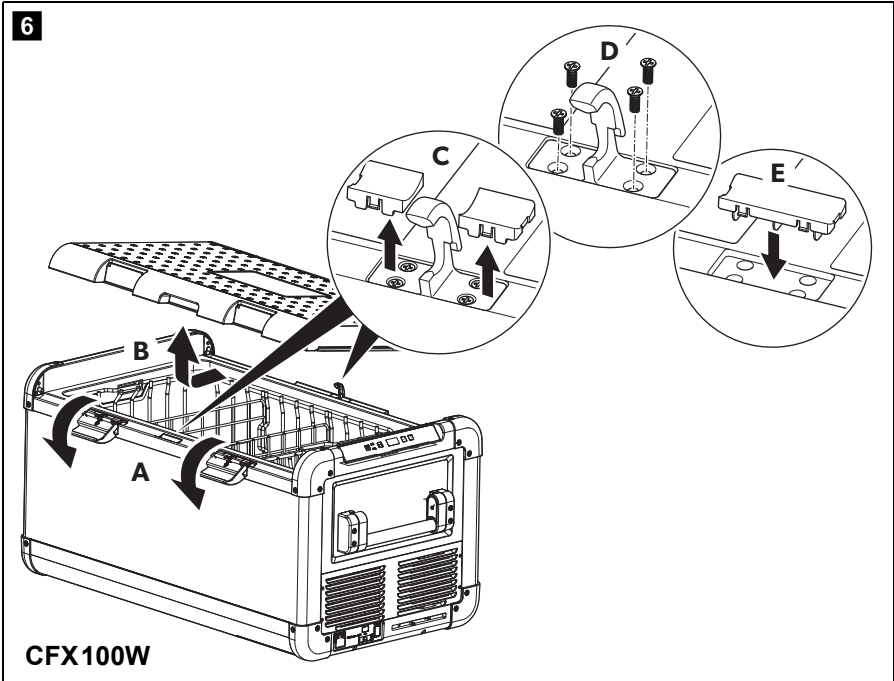
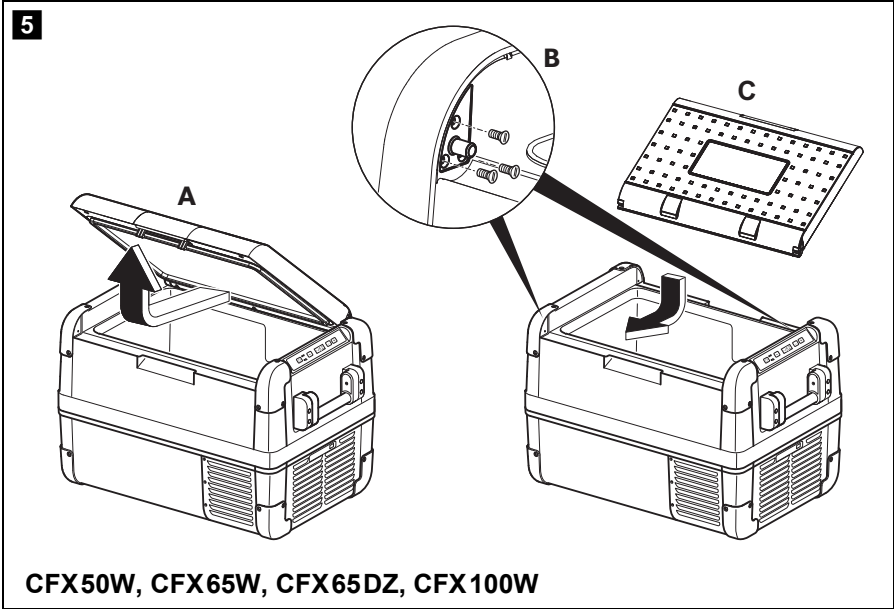
CFX50W, CFX65W, CFX65DZ

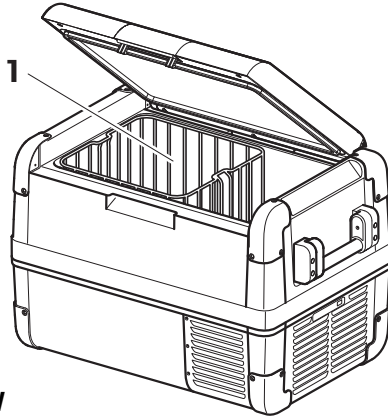
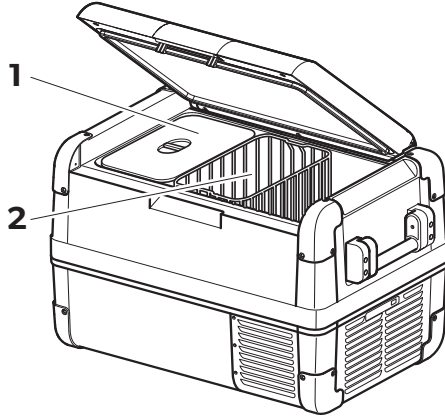
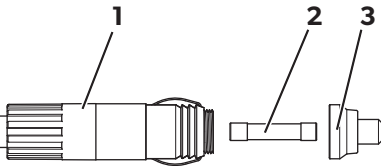
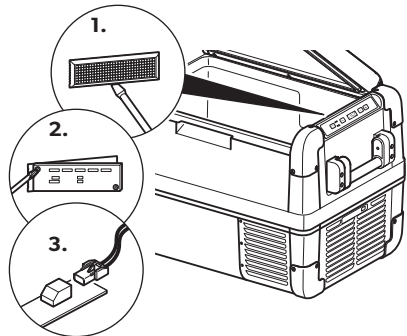


CFX100W



**3****4**



**7****CFX50W, CFX65W****8****CFX65DZ****9****10**

**Please read this operating manual carefully before starting the device. Keep it in a safe place for future reference. If the device is passed on to another person, this operating manual must be handed over to the user along with it.**

The manufacturer cannot be held liable for damage resulting from **improper usage** or **incorrect operation**.

## Contents

<b>1</b>	<b>Explanation of symbols</b> .....	8
<b>2</b>	<b>Safety instructions</b> .....	9
2.1	General safety .....	9
2.2	Operating the device safely .....	10
<b>3</b>	<b>Scope of delivery</b> .....	11
<b>4</b>	<b>Accessories</b> .....	11
<b>5</b>	<b>Intended use</b> .....	12
<b>6</b>	<b>Function description</b> .....	13
6.1	Scope of functions .....	13
6.2	Operating and display elements .....	14
<b>7</b>	<b>Operation</b> .....	15
7.1	Before initial use .....	15
7.2	Energy saving tips .....	16
7.3	Connecting the cooler .....	16
7.4	Using the battery monitor .....	17
7.5	Using the cooler .....	19
7.6	Setting the temperature .....	20
7.7	Enabling WiFi signal for optional app (all except CFX28 and CFX65DZ) .....	21
7.8	Set brightness of display .....	22
7.9	Using the emergency switch (where fitted) .....	22
7.10	USB port for power supply .....	22
7.11	Switching off the cooler .....	23
7.12	Defrosting the cooler .....	23
7.13	Replacing the device fuse .....	23
7.14	Replacing the plug fuse (12/24 V) .....	24
7.15	Replacing the light PCB .....	24

<b>8</b>	<b>Cleaning and maintenance</b> .....	25
<b>9</b>	<b>Guarantee</b> .....	25
<b>10</b>	<b>Troubleshooting</b> .....	26
<b>11</b>	<b>Disposal</b> .....	27
<b>12</b>	<b>Technical data</b> .....	27

# 1 Explanation of symbols



## **WARNING!**

**Safety instruction:** Failure to observe this instruction can cause fatal or serious injury.



## **CAUTION!**

**Safety instruction:** Failure to observe this instruction can lead to injury.



## **NOTICE!**

Failure to observe this instruction can cause material damage and impair the function of the product.



## **NOTE**

Supplementary information for operating the product.



## 2 Safety instructions

### 2.1 General safety



#### **WARNING!**

- Do not operate the device if it is visibly damaged.
- If this device's power cable is damaged, it must be replaced by the manufacturer, customer service or a similarly qualified person in order to prevent safety hazards.
- This device may only be repaired by qualified personnel. Improper repairs can lead to considerable hazards.
- This device can be used by children aged 8 years or over, as well as by persons with diminished physical, sensory or mental capacities or a lack of experience and/or knowledge, providing they are supervised or have been taught how to use the device safely and are aware of the resulting risks.
- Cleaning and user maintenance must not be carried out by children without supervision.
- Children must not play with the device.
- Children must be supervised to ensure that they do not play with the device.
- Always keep and use the device out of the reach of children under the age of 8 years.
- Do not store any explosive substances such as spray cans with a flammable propellant in the device.



#### **CAUTION!**

- Disconnect the device from the power supply
  - before each cleaning and maintenance
  - after every use
- Food may only be stored in its original packaging or in suitable containers.



#### **NOTICE!**

- Check that the voltage specification on the type plate corresponds to that of the energy supply.

- Only connect the device as follows:
  - With the DC cable to a DC plug socket in the vehicle (e. g. cigarette lighter)
  - Or with the AC connection cable to the AC mains supply
- Never pull the plug out of the socket by the cable.
- If the cooler is connected to the DC socket: Disconnect the cooler and other power consuming devices from the battery before connecting the quick charging device.
- If the cooler is connected to the DC socket: Disconnect the cooler or switch it off when you turn off the engine. Otherwise you may discharge the battery.
- The cooling device is not suitable for transporting caustic materials or materials containing solvents.
- The cooling device contains inflammable cyclopentane in the insulation. The gases in the insulation material require special disposal procedures. Deliver the device at the end of its life-cycle to an appropriate recycling.

## 2.2 Operating the device safely



### CAUTION!

- Before starting the device, ensure that the power supply line and the plug are dry.



### NOTICE!

- Do not use electrical devices inside the cooler unless they are recommended by the manufacturer for the purpose.
- Do not place the device near naked flames or other heat sources (heaters, direct sunlight, gas ovens etc.).
- **Danger of overheating!**  
Ensure at all times that there is sufficient ventilation so that the heat that arises during operation does not build up. Make sure that the device is sufficiently far away from walls and other objects so that the air can circulate.
- Ensure that the ventilation openings are not covered.
- Do not fill the inner container with ice or fluid.
- Never immerse the device in water.
- Protect the device and the cable against heat and moisture.

### 3 Scope of delivery

The scope of delivery is shown in fig. **1**, page 3.

Item	Quantity	Description
1	1	Cooler
2	1	Connection cable for DC connection
3	1	Connection cable for AC connection
–	1	Operating manual

### 4 Accessories

Available as accessory (not included in scope of delivery):

Designation	Item no.	Model
Quick release fixing kit CFX-QFK	9105306218	CFX28 only
Wireless display CFX-WD	9105306642	suits CFX28, CFX65DZ and older models without WIFI app function

Visit the Dometic website (see back page) for information about a WiFi app with control-, display- and alarm functions (**all except** CFX28 and CFX65DZ). Note that the app may not be available in your country.

## 5 Intended use

The cooler is suitable for cooling and freezing foods. The device is also suitable for use on boats.

The device is designed to be operated from a DC on-board supply socket of a vehicle (e. g. cigarette lighter), boat or caravan as well as from an AC mains.

The cooling device is intended to be used in household and similar applications such as

- staff kitchen areas in shops, offices and other working environments
- farm houses
- clients in hotels, motels and other residential type environments
- bed and breakfast type environments
- catering and similar non-retail applications



### **CAUTION! Health hazard!**

Please check if the cooling capacity of the device is suitable for storing the food or medicine you wish to cool.

## 6 Function description

The cooler can chill products, keep them cool as well as freeze them. A low maintenance refrigerant circuit with compressor provides the cooling. The generous insulation and powerful compressor ensure efficient and fast cooling.

The cooler is portable.

The cooler can withstand a heel (inclination) of 30°, for example when used on boats.

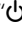
### 6.1 Scope of functions

- Power supply with priority circuit for connecting to the AC mains
- Three-level battery monitor to protect the vehicle battery
- Display with temperature gauge in °C and °F switches off automatically at low battery voltage
- Temperature setting: With two buttons in steps of 1 °C (2 °F)
- Integrated WiFi transmitter hence controllable using an app (**all except** CFX28 and CFX65DZ)
- Foldable carrying handles
- USB port for power supply
- Emergency switch (where fitted)
- Removable wire basket

## 6.2 Operating and display elements

**Latch for lid: fig. 2 1, page 3**

**Operating panel (fig. 3, page 4)**

Item	Description	Explanation
1	ON OFF	Switches the cooler on or off when the button is pressed for between one and two seconds
2	POWER “  ”	Status indication LED lights up green: Compressor is on LED lights up orange: Compressor is off LED flashes orange: Display switched off automatically due to low battery voltage
3	ERROR	LED flashes red: Device is switched on but not ready for operation
4	SET	Selects the input mode – Temperature setting – Celsius or Fahrenheit display – Set battery monitor – Set brightness of display – Switch WiFi on or off ( <b>all except</b> CFX28 and CFX65DZ)
5	–	Display, shows the information
6	DOWN –	Press once to decrease the value
7	UP +	Press once to increase the value

**Connection sockets (fig. 4, page 4)**

Item	Description
1	Connection socket AC voltage supply
2	Fuse holder
3	Emergency switch (when fitted)
4	USB port for power supply
5	Connection socket DC voltage supply

# 7 Operation

## 7.1 Before initial use



### NOTE

Before starting your new cooler for the first time, you should clean it inside and outside with a damp cloth for hygienic reasons (please also refer to the chapter “Cleaning and maintenance” on page 25).

### Reversing the lid opening direction (CFX50W, CFX65W, CFX65DZ)

The lid hinges can be moved to the opposite side if you want to open the lid from the opposite direction. To do this, proceed as follows:

- Open the lid and remove it (fig. **5** A, page 5).
- Remove 3 screws per hinge (fig. **5** B, page 5) and take off hinges.
- Remove plastic covers from new hinge positions with a small screwdriver and re-fit to old hinge positions.
- Re-fit hinges in new positions.
- Insert the lid in the hinges on the opposite side (fig. **5** C, page 5) (CFX50W, CFX65W, CFX65DZ only).

Additionally the centre hinge has to be changed (CFX100W only):

- Remove two plastic covers from the centre hinge (fig. **6** A, page 5).
- Remove four screws from the centre hinge (fig. **6** B, page 5) and take off the hinge.
- Remove the plastic cover from new centre hinge position with a small screwdriver and re-fit to old hinge position (fig. **6** C, page 5).
- Re-fit centre hinge in new position.
- Insert the lids in the hinges on the opposite side (fig. **6** D, page 5).

## Selecting the temperature units

Temperature display units can be switched between Celsius and Fahrenheit as follows:

- Switch on the cooler.
  - Press the “SET” button (fig. **3** 4, page 4) twice.
  - Use the “UP +” (fig. **3** 7, page 4) or “DOWN –” (fig. **3** 6, page 4) buttons to select Celsius or Fahrenheit.
- ✓ The selected temperature units then appear in the display for a few seconds. The display flashes several times before it returns to the current temperature.

## 7.2 Energy saving tips

- Choose a well ventilated installation location which is protected against direct sunlight.
- Allow warm food to cool down first before placing it in the cooling device to keep cool.
- Do not open the cooling device more often than necessary.
- Do not leave the cooling device open for longer than necessary.
- Defrost the cooler once a layer of ice forms.
- Avoid unnecessarily low temperatures.

## 7.3 Connecting the cooler

### Connecting to a battery (Vehicle or boat)

The cooler can be operated with 12 V or 24 V $\overline{=}$ .



#### **NOTICE! Danger of damage!**

Disconnect the cooler and other consumer units from the battery before you connect the battery to a quick charging device. Overvoltage can damage the electronics of the device.

For safety reasons the cooler is equipped with an electronic system to prevent polarity reversal. This protects the cooler against short-circuiting when connecting to a battery.

- Plug the 12/24 V connection cable (fig. **1** 2, page 3) into the device DC voltage socket and also into a 12 V or 24 V cigarette lighter socket.



## Connecting to a 120 V AC mains (E.g. in the home or office)



### **DANGER! Danger of electrocution!**

- Never handle plugs and switches with wet hands or if you are standing on a wet surface.
- If you are operating your cooler on board a boat from a mains connection of 120 V $\sim$ , you must install a residual current circuit breaker between the 120 V $\sim$  mains and the cooler. Seek advice from a trained technician.

The coolers have an integrated multi-voltage power supply with priority circuit for connecting to an AC voltage source of 120 V. The priority circuit automatically switches the cooler to mains operation, if the device is connected to a 120 V AC mains, even if the 12/24 V connection cable is still attached.

- Plug the 120 V connection cable (fig. **1** 3, page 3) into the device AC voltage socket and connect it to the 120 V AC voltage mains.

## 7.4 Using the battery monitor

The device is equipped with a multi-level battery monitor that protects your vehicle battery against excessive discharging when the device is connected to the on-board 12/24 V supply.

If the cooler is operated when the vehicle ignition is switched off, the cooler switches off automatically as soon as the supply voltage falls below a set level. The cooler will switch back on once the battery has been recharged to the restart voltage level.



### **NOTICE! Danger of damage!**

When switched off by the battery monitor, the battery will no longer be fully charged. Avoid starting repeatedly or operating current consumers without longer charging phases. Ensure that the battery is recharged.

In “HIGH” mode, the battery monitor responds faster than at the levels “LOW” and “MED” (see the following table).

Battery monitor mode	LOW	MED	HIGH
Switch-off voltage at 12 V	10.1 V	11.4 V	11.8 V
Restart-voltage at 12 V	11.1 V	12.2 V	12.6 V
Switch-off voltage at 24 V	21.5 V	24.1 V	24.6 V
Restart voltage at 24 V	23.0 V	25.3 V	26.2 V

The battery monitor mode can be selected as follows:

- ▶ Switch on the cooler.
- ▶ Press the “SET” button (fig. **3** 4, page 4) three times.
- ▶ Use the “UP +” (fig. **3** 7, page 4) or “DOWN –” (fig. **3** 6, page 4) buttons to select the battery monitor mode.
- ✓ Display will be as follows:  
Lo (LOW), Πd (MED), Hi (HIGH)
- ✓ The selected mode then appears in the display for a few seconds. The display flashes several times before it returns to the current temperature.



#### NOTE

When the cooler is supplied by the starter battery, select the battery monitor mode “HIGH”. If the cooler is connected to a supply battery, the battery monitor mode “LOW” will suffice.

## 7.5 Using the cooler



### **NOTICE! Danger of overheating!**

Ensure at all times that there is sufficient ventilation so that the heat that generated during operation can dissipate. Ensure that the ventilation slots are not covered. Make sure that the device is sufficiently far away from walls and other objects so that the air can circulate.

- Place the cooler on a firm foundation.  
Make sure that the ventilation slots are not covered and that the heated air can dissipate.



### **NOTE**

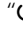
Place the cooler as shown (fig. **1**, page 3). If you operate the box in a different orientation it can be damaged.

- Connect the cooler, see chapter “Connecting the cooler” on page 16.



### **NOTICE! Danger from excessively low temperature!**

Ensure that the only those objects are placed in the cooler that are intended to be cooled at the selected temperature.

- Press the “ON/OFF” button (fig. **3** 1, page 4) for between one and two seconds.
- ✓ The LED “” lights up (fig. **3** 2, page 4).
- ✓ The display (fig. **3** 5, page 4) switches on and shows the current cooling temperature.



### **CAUTION! Health hazard!**

#### **CFX65DZ:**


If the temperature in the freezer compartment (fig. **8** 1, page 6) is very low ( $-22\text{ °C}/-8\text{ °F}$ ), the temperature range in the cooling department (fig. **8** 2, page 6) can be below freezing as well.

**NOTE****Displayed temperature**

- **CFX28, CFX35W, CFX40W, CFX50W, CFX65W, CFX100W:**  
The temperature displayed is that of the large interior compartment (e.g. CFX50W, CFX65W: fig. **7** 1, page 6).
- **CFX65DZ:**
  - With fridge/freezer divider in: The temperature displayed is that of the freezer compartment (fig. **8** 1, page 6).
  - With fridge/freezer divider out: The actual compartment temperature will be considerably warmer than the displayed temperature

- ✓ The cooler starts cooling the interior.

**NOTE**

When operating with the battery, the display switches off automatically if the battery voltage is low. The LED “**Latching the cooler lid**

- Close the lid.
- Press the latch (fig. **2** 1, page 3) down, until it latches in place audibly.

**7.6 Setting the temperature**

- Press the “SET” button (fig. **3** 4, page 4) once.
- Use the “UP +” (fig. **3** 7, page 4) and “DOWN –” (fig. **3** 6, page 4) buttons to select the cooling temperature.
- ✓ The cooling temperature appears in the display for a few seconds. The display flashes several times and then the current temperature is displayed again.

## 7.7 Enabling WiFi signal for optional app (all except CFX28 and CFX65DZ)

The cooler can be controlled via WiFi using an app that you can install on a compatible device. The app has control, display and alarm functions.

For further information go to the Dometic website for your country (see back page). Note that the app may not be available in your country.

The WiFi name of the compressor cooler begins with “CFX”. The preset password is “00000000”. You can change the WiFi name and password individually.

### Switching the WiFi signal on or off

- ▶ Press the “SET” button (fig. **3** 4, page 4) five times.
- ▶ Use the “UP +” (fig. **3** 7, page 4) and “DOWN–” (fig. **3** 6, page 4) buttons to switch the WiFi signal on or off.
- ✓ The desired setting appears in the display for a few seconds. The display flashes several times and then the current temperature is displayed again.



#### NOTE

- The default setting for the WiFi transmitter is off. For first time use and whenever power to the device is interrupted, switch on the WiFi transmitter to use the app.
- The WiFi transmitter uses a small amount of power. For optimal energy performance switch the WiFi transmitter off if it is not being used.

### Resetting the WiFi to factory settings

In case you have personalized the WiFi settings of your cooling device using the WiFi app and forgotten your password, you can reset to the factory settings as follows:

- ▶ Press the “SET” button (fig. **3** 4, page 4) five times.
- ▶ Hold the “UP +” (fig. **3** 7, page 4) button for at least five seconds.
- ✓ In both displays “rES” will blink several times before returning to the previous display.
- ✓ The WiFi settings have been reset to factory settings.

For additional information visit the Dometic website from which you downloaded the app.

## 7.8 Set brightness of display

The display brightness can be dimmed for low ambient light conditions. To set the dimming level of the display proceed as follows:

- ▶ Switch on the cooler.
- ▶ Press the “SET” button (fig. **3** 4, page 4) four times.
- ▶ Use the “UP +” (fig. **3** 7, page 4) or “DOWN –” (fig. **3** 6, page 4) buttons to set the brightness of the display.
- ✓ Display will be as follows:  
d0 (default), d1 (medium), d2 (dark)
- ✓ The display shows the set mode for some seconds. The display flashes several times before it returns to the current brightness.



### NOTE

- The factory setting of brightness of the display is d0 (default).
- If a fault occurs, the brightness automatically is d0 (default). After troubleshooting the set brightness is reactivated.

## 7.9 Using the emergency switch (where fitted)

The emergency switch (fig. **4** 3, page 4) is located below the control panel on all models except CFX28 where it is located above the power inlet sockets. For normal operation the switch is in the “NORMAL USE” position.

- ▶ If an electronic control failure occurs, slide the switch to “EMERGENCY OVERRIDE” position



### NOTE

If the switch is in the “EMERGENCY OVERRIDE” position, the cooler runs with full cooling capacity and may freeze.

## 7.10 USB port for power supply

USB port allows you to charge small devices like mobile phones and mp3-players.

To use your cooling box with any USB devices, simply connect a USB cable (not included) to your device.



### NOTE

Ensure that any small device connected to the USB port is compatible with 5 V/500 mA operation.

## 7.11 Switching off the cooler

- Empty the cooler.
- Switch the cooler off.
- Pull out the connection cable.

If you do not want to use the cooler for a longer period of time:

- Leave the cover slightly open. This prevents odour build-up.

## 7.12 Defrosting the cooler

Humidity can form frost in the interior of the cooling device or on the evaporator. This reduces the cooling capacity. Defrost the device in good time to avoid this.



### **NOTICE! Danger of damage!**

Never use hard or pointed tools to remove ice or to loosen objects which have frozen in place.

To defrost the cooler, proceed as follows:

- Take out the contents of the cooling device.
- If necessary, place them in another cooling device to keep them cool.
- Switch off the device.
- Leave the lid open.
- Wipe off the defrosted water.

## 7.13 Replacing the device fuse



### **DANGER! Danger of electrocution!**

Disconnect the power supply and the connection cable before you replace the device fuse.

- Disconnect the power supply to the device.
- Pull off the connection cable.
- Pry out the fuse insert (fig. **4** 2, page 4) with a screwdriver.
- Replace the defective glass fuse with a new one that has the same rating (4 A, 250 V).

- Press the fuse insert back into the housing.
- Reconnect the power supply to the device.

## 7.14 Replacing the plug fuse (12/24 V)

- Unscrew the contact pin housing (fig. **9** 3, page 6) from the plug (fig. **9** 1, page 6).
- Replace the defective fuse (fig. **9** 2, page 6) with a new fuse that has the same rating (3AG, 15 A).
- Re-assemble the plug in reverse order.

## 7.15 Replacing the light PCB

- Disconnect the power supply to the device.
- Pry out the transparent cover with a screwdriver (fig. **10** 1, page 6).
- Unscrew the PCB mounting screws (fig. **10** 2, page 6).
- Pull out the plug from the PCB (fig. **10** 3, page 6).
- Replace the defective light PCB with a new one.
- Fit new PCB using reverse of removal instructions.
- Press the transparent cover back into the housing.
- Reconnect the power supply to the device.



## 8 Cleaning and maintenance

**WARNING!**

Always disconnect the device from the power supply before you clean and service it.

**NOTICE! Risk of damage**

- Never clean the cooler under running water or in dish water.
- Do not use abrasive cleaning agents or hard objects during cleaning as these can damage the cooler.

- Occasionally clean the device interior and exterior with a damp cloth.
- Make sure that the air inlet and outlet vents on the device are free of any dust and dirt, so that heat can be released and the device is not damaged.

## 9 Guarantee

The statutory warranty period applies. If the product is defective, please contact the manufacturer's branch in your country (see the back of the instruction manual for the addresses) or your retailer.

For repair and guarantee processing, please include the following documents when you send in the device:

- A copy of the receipt with purchasing date
- A reason for the claim or description of the fault

# 10 Troubleshooting

Fault	Possible cause	Suggested remedy
Device does not function, LED does not glow.	There is no voltage present in the 12/24 V socket (cigarette lighter) in your vehicle.	The ignition must be switched on in most vehicles to apply current to the cigarette lighter.
	No voltage present in the AC voltage socket.	Try using another plug socket.
	The device fuse is defective.	Replace the device fuse, see chapter "Replacing the device fuse" on page 23.
	The integrated mains adapter is defective.	This can only be repaired by an authorised repair centre.
The device does not cool (plug is inserted, "POWER" LED is lit).	Defective compressor.	This can only be repaired by an authorised customer services unit.
The device does not cool (plug is inserted, "POWER" LED flashes orange, display is switched off).	Battery voltage is too low.	Test the battery and charge it as needed.
When operating from the 12/24 V socket (cigarette lighter): The ignition is on and the device is not working and the LED is not lit. Pull the plug out of the socket and make the following checks.	The cigarette lighter socket is dirty. This results in a poor electrical contact.	If the plug of your cooler becomes very warm in the cigarette lighter socket, either the lighter socket must be cleaned or the plug has not been assembled correctly.
	The fuse of the 12/24 V plug has blown.	Replace the fuse (15 A) in the 12/24 V plug, see chapter "Replacing the plug fuse (12/24 V)" on page 24.
	The vehicle fuse has blown.	Replace the vehicle's 12/24 V socket fuse (usually 15 A). Please refer to your vehicle's operating manual.
The display shows an error message (e.g. "Err1") and the appliance does not cool.	The appliance has switched off due to an internal fault.	This can only be repaired by an authorised repair centre.

## 11 Disposal

- Place the packaging material in the appropriate recycling waste bins wherever possible.



If you wish to finally dispose of the product, ask your local recycling centre or specialist dealer for details about how to do this in accordance with the applicable disposal regulations.

## 12 Technical data

	<b>CFX28</b>	<b>CFX35W</b>	<b>CFX40W</b>
Ref. no.:	9105306636	9105306500	9105306637
Connection voltage:	12/24 V $\overline{=}$ and 120 V $\sim$		
Rated current:	12 V $\overline{=}$ : 6.5 A 24 V $\overline{=}$ : 3.2 A 120 V $\sim$ : 0.65 A	12 V $\overline{=}$ : 7.0 A 24 V $\overline{=}$ : 3.2 A 120 V $\sim$ : 0.72 A	
Cooling capacity:	+10 °C to -22 °C (+50 °F to -8 °F)		
Category:	1		
Energy efficiency class:	A++	A++	
Energy consumption:	61 kWh/annum	62 kWh/annum	64 kWh/annum
Gross volume:	28 l	34.5 l	41 l
Storage volume:	26 l	32 l	38 l
Climate class:	N, T		
Ambient temperature:	+16 °C to +43 °C (+61 °F to 109 °F)		
Noise emission:	34 dB(A)	42 dB(A)	
USB:	5 V $\overline{=}$ , 500 mA		
Refrigerant quantity:	38 g/1.34 oz	33 g/1.16 oz	38 g/1.34 oz
CO <sub>2</sub> equivalent:	0.054 t/119.05 lbs	0.047 t/103.62 lbs	0.054 t/119.05 lbs
Global warming potential (GWP):	1430		
Dimensions (W x H x D) (including handles)			
in mm:	342 x 425 x 620	398 x 411 x 692	398 x 461 x 692
in inch:	24.4 x 16.7 x 13.5	27.2 x 16.2 x 15.7	27.2 x 18.1 x 15.7

	<b>CFX28</b>	<b>CFX35W</b>	<b>CFX40W</b>
Weight:	13 kg 29 lbs	17.5 kg 39 lbs	18.5 kg 41 lbs
	<b>CFX50W</b>	<b>CFX65W</b>	<b>CFX65DZ</b>
Ref. no.:	9105306638	9105306635	9105306501
Connection voltage:	12/24 V $\overline{=}$ and 120 V $\sim$		
Rated current:	12 V $\overline{=}$ : 7.8 A 24 V $\overline{=}$ : 3.6 A 120 V $\sim$ : 0.79 A	12 V $\overline{=}$ : 8.2 A 24 V $\overline{=}$ : 3.8 A 120 V $\sim$ : 0.88 A	12 V $\overline{=}$ : 5.5 A 24 V $\overline{=}$ : 2.6 A 120 V $\sim$ : 0.63 A
Cooling capacity:	+10 °C to -22 °C (+50 °F to -8 °F)		
Category:	1		
Energy efficiency class:	A++		A+
Energy consumption:	66 kWh/annum	69 kWh/annum	115 kWh/annum
Gross volume:	50 l	65 l	with divider: 61 l without divider: 65 l
Storage volume:	46 l	60 l	53 l
Climate class:	N, T		
Ambient temperature:	+16 °C to +43 °C (+61 °F to 109 °F)		
Noise emission:	42 dB(A)		
USB:	5 V $\overline{=}$ , 500 mA		
Refrigerant quantity:	43 g/1.52 oz	57 g/2.01 oz	31 g/1.09 oz
CO <sub>2</sub> equivalent:	0.062 t/136.69 lbs	0.082 t/180.78 lbs	0.044 t/97.00 lbs
Global warming potential (GWP):	1430		
Dimensions (W x H x D) (including handles) in mm: in inch:	725 x 471 x 455 28.5 x 18.5 x 17.9	725 x 561 x 455 28.5 x 22.0 x 17.9	725 x 561 x 455 28.5 x 22.0 x 17.9
Weight:	20.4 kg 45 lbs	22.3 kg 49 lbs	23.2 kg 51 lbs

	<b>CFX100W</b>
Ref. no.:	9105306678
Connection voltage:	12/24 V $\overline{=}$ and 120 V $\sim$
Rated current:	12 V $\overline{=}$ : 10.5 A 24 V $\overline{=}$ : 5.0 A 120 V $\sim$ : 0.95 A
Cooling capacity:	+10 °C to -22 °C (+50 °F to -8 °F)
Category:	1
Energy efficiency class:	A+
Energy consumption:	98 kWh/annum
Gross volume:	100 l
Storage volume:	88 l
Climate class:	N, T
Ambient temperature:	+16 °C to +43 °C (+61 °F to 109 °F)
Noise emission:	37 dB(A)
USB:	5 V $\overline{=}$ , 500 mA
Refrigerant quantity:	64 g/2.26 oz
CO <sub>2</sub> equivalent:	0.092 t/202.83 lbs
Global warming potential (GWP):	1430
Dimensions (W x H x D) (including handles)	
in mm:	957 x 472 x 530
in inch:	37.7 x 18.6 x 20.9
Weight:	32 kg 70.5 lbs

**NOTE**

If the ambient temperature is above +32 °C (+90 °F), the minimum temperature cannot be attained.

The coolant circuit contains R134a.

Contains fluorinated greenhouse gases

Hermetically sealed equipment

Test/certificates:



This device complies with Part 15 of the FCC Rules. Operation is subject to the following two conditions:

- (1) this device may not cause harmful interference, and
- (2) this device must accept any interference received, including interference that may cause undesired operation.

Changes or modifications not expressly approved by the part responsible for compliance could void the user's authority to operate the equipment.

This equipment has been tested and found to comply with the limits for a Class B digital device, pursuant to part 15 of the FCC Rules. These limits are designed to provide reasonable protection against harmful interference in a residential installation. This equipment generates, uses and can radiate radio frequency energy and, if not installed and used in accordance with the instructions, may cause harmful interference to radio communications. However, there is no guarantee that interference will not occur in a particular installation. If this equipment does cause harmful interference to radio or television reception, which can be determined by turning the equipment off and on, the user is encouraged to try to correct the interference by one or more of the following measures:

- Reorient or relocate the receiving antenna.
- Increase the separation between the equipment and receiver.
- Connect the equipment into an outlet on a circuit different from that to which the receiver is connected.
- Consult the dealer or an experienced radio/TV technician for help.

**Veillez lire ce manuel avec attention avant de mettre l'appareil en service. Conservez ensuite ce manuel. En cas de passer de l'appareil, veuillez le transmettre au nouvel acquéreur.**

Le fabricant décline toute responsabilité en cas de dommages provoqués par une **utilisation non-conforme de l'appareil** ou **par des erreurs de manipulation**.

## Sommaire

<b>1</b>	<b>Symboles</b> .....	32
<b>2</b>	<b>Consignes de sécurité</b> .....	33
2.1	Sécurité générale .....	33
2.2	Consignes de sécurité concernant le fonctionnement de l'appareil	34
<b>3</b>	<b>Contenu de la livraison</b> .....	35
<b>4</b>	<b>Accessoires</b> .....	35
<b>5</b>	<b>Usage conforme</b> .....	36
<b>6</b>	<b>Description du fonctionnement</b> .....	37
6.1	Fonctions .....	37
6.2	Éléments de commande et d'affichage .....	38
<b>7</b>	<b>Utilisation</b> .....	39
7.1	Avant la première utilisation .....	39
7.2	Comment économiser de l'énergie ? .....	40
7.3	Raccordement de la glacière .....	41
7.4	Utilisation du protecteur de batterie .....	42
7.5	Utilisation de la glacière .....	43
7.6	Réglage de la température .....	44
7.7	Activation du signal WLAN pour l'appli en option (tous modèles sauf CFX28 et CFX65DZ) .....	45
7.8	Réglage de la luminosité de l'écran .....	46
7.9	Utilisation de l'interrupteur d'urgence (le cas échéant) .....	46
7.10	Port USB pour l'alimentation électrique .....	47
7.11	Arrêt de la glacière .....	47
7.12	Dégivrage de la glacière .....	47
7.13	Remplacement du fusible de l'appareil .....	48
7.14	Remplacement du fusible du connecteur (12/24 V) .....	48
7.15	Remplacement de la platine de commande lumineuse .....	48
<b>8</b>	<b>Entretien et nettoyage</b> .....	49

<b>9</b>	<b>Garantie</b> .....	49
<b>10</b>	<b>Guide de dépannage</b> .....	50
<b>11</b>	<b>Retraitement</b> .....	51
<b>12</b>	<b>Caractéristiques techniques</b> .....	52

## 1 Symboles



### **AVERTISSEMENT !**

**Consigne de sécurité :** le non-respect de ces consignes peut entraîner la mort ou de graves blessures.



### **ATTENTION !**

**Consigne de sécurité :** le non-respect de ces consignes peut entraîner des blessures.



### **AVIS !**

Le non-respect de ces consignes peut entraîner des dommages matériels et des dysfonctionnements du produit.



### **REMARQUE**

Informations complémentaires sur l'utilisation du produit.



## 2 Consignes de sécurité

### 2.1 Sécurité générale



#### AVERTISSEMENT !

- Si l'appareil présente des dégâts visibles, vous ne devez pas le mettre en service.
- Si le câble de raccordement de l'appareil est endommagé, il doit être remplacé par le fabricant, son service après-vente ou une personne de qualification similaire, afin d'éviter tout danger.
- Seul un personnel qualifié est habilité à effectuer des réparations sur l'appareil. Toute réparation mal effectuée risque d'entraîner de graves dangers.
- Les enfants âgés de 8 ans et plus ainsi que les personnes ayant des déficiences physiques, sensorielles ou mentales ou un manque d'expérience ou de connaissances peuvent utiliser ce produit à condition d'être sous surveillance ou d'avoir reçu des instructions concernant l'utilisation de l'appareil en toute sécurité et de comprendre les dangers qui en résultent.
- Le nettoyage et la maintenance ne doivent pas être effectués par des enfants sans surveillance.
- Les enfants ne doivent pas jouer avec cet appareil.
- Les enfants doivent être surveillés pour s'assurer qu'ils ne jouent pas avec l'appareil.
- Placez et utilisez l'appareil hors de portée des enfants de moins de 8 ans.
- Ne stockez aucune substance explosive comme p. ex. des aérosols contenant des agents propulseurs dans l'appareil.



#### ATTENTION !

- Débranchez l'appareil du secteur
  - avant tout nettoyage et entretien
  - après chaque utilisation
- Les aliments ne peuvent être conservés que dans leurs emballages originaux ou dans des récipients appropriés.



#### AVIS !

- Comparez la tension indiquée sur la plaque signalétique avec l'alimentation électrique dont vous disposez.

- Branchez l'appareil uniquement comme indiqué ci-dessous :
  - avec le câble de raccordement CC sur une prise CC du véhicule (par ex. un allume-cigare)
  - ou avec le câble de raccordement CA au secteur à courant alternatif
- Ne tirez jamais sur le câble de raccordement pour sortir la fiche de la prise.
- Si la glacière est raccordée à la prise CC : débranchez de la batterie la glacière et les autres consommateurs d'énergie avant de raccorder un chargeur rapide.
- Si la glacière est raccordée à la prise CC : débranchez ou éteignez la glacière lorsque vous éteignez le moteur. Dans le cas contraire, il se pourrait que la batterie se décharge.
- N'utilisez pas la glacière pour le transport de produits corrosifs ou de solvants.
- Cette glacière contient du cyclopentane inflammable dans son isolation. Les gaz contenus dans le matériau d'isolation exigent une procédure de retraitement particulière. Une fois que vous ne l'utilisez plus, recyclez l'appareil de manière conforme.

## 2.2 Consignes de sécurité concernant le fonctionnement de l'appareil



### ATTENTION !

- Avant de mettre l'appareil en service, assurez-vous que la ligne d'alimentation électrique et la fiche sont sèches.



### AVIS !

- N'utilisez aucun appareil électrique dans la glacière, sauf si ces appareils sont recommandés par le fabricant pour cet usage.
- Ne placez pas l'appareil près de flammes ou d'autres sources de chaleur (chauffage, rayons solaires, réchauds à gaz, etc.).
- **Danger de surchauffe !**  
Veillez toujours à ce que la chaleur produite lors du fonctionnement soit suffisamment dissipée. Veillez à ce que l'appareil se trouve à une distance suffisante des murs ou des objets, de sorte que l'air puisse circuler.
- Assurez-vous que les fentes d'aération ne sont pas recouvertes.
- Ne pas remplir le bac intérieur de substances liquides ou de glace.

- Ne plongez jamais l'appareil dans l'eau.
- Tenez l'appareil et les câbles à l'abri de la chaleur et de l'humidité.

### 3 Contenu de la livraison

La fig. **1**, page 3 indique les pièces comprises dans la livraison.

Réf.	Quantité	Désignation
1	1	Glacière
2	1	Câble de raccordement au courant continu
3	1	Câble de raccordement en courant alternatif
-	1	Notice d'utilisation

### 4 Accessoires

Disponibles en accessoires (non compris dans la livraison) :

Désignation	N° de produit	Modèle
Kit de fixation Quick Release CFX-QFK	9105306218	pour CFX28
Écran sans fil CFX-WD	9105306642	Compatible avec CFX28, CFX65DZ et les anciens modèles sans fonction WLAN

Vous trouverez sur le site Web Dometic (voir au dos) les informations sur une application WLAN dotée de fonctions de contrôle, d'affichage et d'alarme (**tous modèles sauf CFX28 et CFX65DZ**). Il se peut que l'application ne soit pas disponible dans votre pays.

## 5 Usage conforme

La glacière est conçue pour la réfrigération et la congélation d'aliments. L'appareil peut également être utilisé sur des bateaux.

La glacière est conçue pour fonctionner sur une prise à courant continu d'une voiture (allume-cigare), d'un bateau ou d'un camping-car ainsi qu'à un secteur à courant alternatif.

La glacière est conçue pour un usage à domicile et tous les domaines d'applications semblables, comme par exemple

- dans les cuisines destinées au personnel de boutiques, bureaux et autres lieux de travail
- dans l'agriculture
- pour les clients d'hôtels, de motels ou autres types d'hébergement
- dans les « bed and breakfast »
- dans le catering et les utilisations semblables du commerce en gros



### **ATTENTION ! Risque pour la santé**

Veillez vérifier si la puissance frigorifique de l'appareil correspond à la température de conservation recommandée pour les aliments ou les médicaments que vous souhaitez conserver au frais.

## 6 Description du fonctionnement

La glacière permet de réfrigérer, de tenir au frais ou de congeler des produits. La réfrigération est assurée par un circuit de refroidissement à compresseur qui ne nécessite aucune maintenance. Sa puissante isolation et son compresseur performant garantissent un refroidissement particulièrement rapide.

La glacière convient pour une utilisation mobile.

En cas d'utilisation sur bateaux, la glacière peut supporter un angle de gîte de 30°.


### 6.1 Fonctions

- Bloc d'alimentation avec raccordement prioritaire pour raccordement sur un courant alternatif
- Protecteur de batterie à trois niveaux pour protéger la batterie du véhicule
- Écran avec affichage de la température en °C et °F  
S'éteint automatiquement lorsque la tension de la batterie est faible
- Réglage de la température : Avec deux boutons par pas de 1 °C (et de 2 °F)
- Émetteur WLAN intégré, pouvant être commandé depuis l'appli (**tous modèles sauf CFX28 et CFX65DZ**)
- Poignées rabattables
- Port USB pour l'alimentation électrique
- Interrupteur d'urgence (le cas échéant)
- Élément panier amovible

## 6.2 Éléments de commande et d'affichage

**Verrouillage du couvercle : fig. 2 1, page 3**

**Panneau de commande (fig. 3, page 4)**

Pos.	Désignation	Explication
1	ON OFF	Permet de mettre en marche ou d'arrêter la glacière en appuyant une à deux secondes sur la touche
2	POWER «  »	Témoin lumineux de fonctionnement La LED s'allume en vert : Le compresseur est en marche La LED s'allume en orange : Le compresseur est arrêté La LED clignote en orange : L'écran a été automatiquement éteint parce que la tension de la batterie est faible
3	ERROR	La LED clignote en rouge : L'appareil est allumé mais n'est pas prêt à fonctionner
4	SET	Sélection du mode de saisie – Réglage de la température – Indication en degrés °Celsius ou °Fahrenheit – Réglage du protecteur de batterie – Réglage de la luminosité de l'écran – Allumer/éteindre la connexion WLAN ( <b>tous modèles sauf CFX28 et CFX65DZ</b> )
5	–	Écran, affiche les valeurs
6	DOWN –	Une pression sur cette touche diminue la valeur de saisie sélectionnée
7	UP +	Une pression sur cette touche augmente la valeur de saisie sélectionnée

## Prises de raccordement (fig. 4, page 4)

Pos.	Désignation
1	Prise de raccordement de l'alimentation en tension alternative
2	Porte-fusible
3	Interrupteur d'urgence
4	Port USB pour l'alimentation électrique
5	Prise de raccordement de l'alimentation en tension continue

# 7 Utilisation

## 7.1 Avant la première utilisation



### REMARQUE

Avant de mettre en service votre nouvelle glacière, vous devez, pour des raisons d'hygiène, la nettoyer à l'intérieur et à l'extérieur à l'aide d'un tissu humide (voir aussi chapitre « Entretien et nettoyage », page 49).

### Retourner la butée du couvercle (CFX 50W, CFX65W, CFX65DZ, CFX100W)

Vous pouvez retourner la butée du couvercle si vous voulez ouvrir celui-ci par l'autre côté. Procédez comme suit :

- Ouvrez le couvercle et déposez-le (fig. 5 A, page 5).
- Retirez les trois vis de la charnière (fig. 5 B, page 5), et déposez-la.
- Retirez les caches plastique des nouvelles positions de la charnière à l'aide d'un petit tournevis et remettez-les aux anciens emplacements de la charnière.
- Placez les charnières sur les nouvelles positions.
- Placez le couvercle dans la charnière du côté opposé (fig. 5 C, page 5) (pour CFX50W, CFX65W, CFX65DZ).

Vous devez également changer la position centrale de la charnière (CFX100W uniquement) :

- Retirez deux caches plastique de la position centrale de la charnière (fig. **6** A, page 5).
- Retirez les quatre vis de la charnière du milieu (fig. **6** B, page 5), et déposez-la.
- Retirez le cache plastique de la nouvelle position de la charnière à l'aide d'un petit tournevis et remettez-la à l'ancien emplacement de la charnière (fig. **6** C, page 5).
- Montez la charnière du milieu sur la nouvelle position.
- Mettez en place le couvercle dans les charnières sur le côté opposé (fig. **6** D, page 5).

### Sélectionner l'unité de température

Pour l'affichage de la température, vous pouvez choisir entre les valeurs en °Celsius ou en °Fahrenheit. Procédez comme suit :

- Allumez la glacière.
- Appuyez deux fois sur la touche « SET » (fig. **3** 4, page 4).
- Sélectionnez l'unité de température (°Celsius ou °Fahrenheit) à l'aide des touches « UP + » (fig. **3** 7, page 4) ou « DOWN – » (fig. **3** 6, page 4).
- ✓ L'écran affiche l'unité de température sélectionnée pendant quelques secondes. L'écran clignote plusieurs fois avant de revenir à l'affichage de la température actuelle.

## 7.2 Comment économiser de l'énergie ?

- Choisissez un emplacement bien aéré et à l'abri du soleil.
- Laissez refroidir les aliments chauds avant de les déposer dans la glacière.
- Ne pas ouvrir la glacière plus souvent que nécessaire.
- Ne laissez pas la glacière ouverte plus longtemps que nécessaire.
- Dégivrez le réfrigérateur dès qu'une couche de glace s'est formée.
- Évitez une température intérieure inutilement basse.



## 7.3 Raccordement de la glacière

### Raccordement à une batterie (véhicule ou bateau)

La glacière peut être branchée sur une tension continue de 12 V ou 24 V.



#### **AVIS ! Risque d'endommagement !**

Débranchez la glacière et les autres consommateurs d'énergie de la batterie avant de recharger la batterie avec un chargeur rapide. Les surtensions peuvent endommager l'électronique des appareils.

Pour des raisons de sécurité, la glacière est équipée d'une protection électronique contre les inversions de polarité en cas de raccordement à une batterie et contre les courts-circuits.

- Branchez le câble de raccordement 12/24 V (fig. **1** 2, page 3) dans la prise de courant alternatif de l'appareil, et raccordez-le au à l'allume-cigares (12 V ou 24 V).

### Raccordement au réseau alternatif 120 V (p. ex. à domicile ou au bureau)



#### **DANGER ! Danger de mort par électrocution !**

- Ne vous approchez pas de prises ou de commutateurs lorsque vous avez les mains mouillées ou les pieds dans l'eau.
- Si vous raccordez l'appareil à bord d'un bateau à la tension 120 V du réseau alternatif par l'intermédiaire d'une prise de quai, vous devez dans tous les cas brancher un disjoncteur différentiel entre le circuit de courant alternatif 120 V et la glacière. Veuillez vous renseigner auprès d'un spécialiste.

Les glacières sont équipées d'un bloc d'alimentation multitension intégré avec raccordement prioritaire sur une tension alternative de 120 V. Le raccordement prioritaire permet de passer directement en fonctionnement sur secteur quand l'appareil est raccordé à un réseau de courant alternatif 120 V, même si le câble de raccordement 12/24 V est encore branché.

- Branchez le câble de raccordement 120 V (fig. **1** 3, page 3) dans la prise de courant alternatif de l'appareil, et raccordez-le au réseau alternatif 120 V.

## 7.4 Utilisation du protecteur de batterie

La glacière est équipée d'un protecteur de batterie qui protège la batterie de votre véhicule, afin qu'elle ne se décharge pas excessivement lorsque la glacière est raccordée au réseau de bord 12/24 V du véhicule.

Si le conteneur réfrigérant est mis en marche alors que l'allumage du véhicule est éteint, il s'arrête automatiquement dès que la tension d'alimentation descend en dessous d'une valeur réglable. Le conteneur réfrigérant se remet en marche dès que la batterie est rechargée et que la tension de rallumage est atteinte.



### AVIS ! Risque d'endommagement !

Lorsque la batterie est éteinte par le contrôleur de batterie, elle n'a plus sa pleine capacité de charge. Évitez les démarrages répétés ou d'utiliser des consommateurs de courant sans phases de recharge prolongées. Veillez à recharger la batterie.

En mode « HIGH », le protecteur de batterie se met en marche plus rapidement qu'en mode « LOW » ou « MED » (voir tableau suivant).

Mode protecteur de batterie	LOW	MED	HIGH
Tension d'arrêt à 12 V	10,1 V	11,4 V	11,8 V
Remise en marche à 12 V	11,1 V	12,2 V	12,6 V
Tension d'arrêt à 24 V	21,5 V	24,1 V	24,6 V
Remise en marche à 24 V	23,0 V	25,3 V	26,2 V

Pour modifier le mode du protecteur de batterie, procédez comme suit :

- Allumez la glacière.
- Appuyez trois fois sur la touche « SET » (fig. **3** 4, page 4).
- Réglez le mode du protecteur de batterie à l'aide des touches « UP + » (fig. **3** 7, page 4) ou « DOWN – » (fig. **3** 6, page 4).
- ✓ L'écran indique :  
Lo (LOW), Пd (MED), HI (HIGH)
- ✓ L'écran affiche le mode sélectionné pendant quelques secondes. L'écran clignote plusieurs fois avant de revenir à l'affichage de la température actuelle.

**REMARQUE**

Lorsque la glacière est alimentée par la batterie de démarrage, réglez le protecteur de batterie sur le mode « HIGH ». Lorsque la glacière est raccordée à une batterie d'alimentation, le mode « LOW » suffit.

## 7.5 Utilisation de la glacière

**AVIS ! Risque de surchauffe !**

Veillez toujours à ce que la chaleur produite lors du fonctionnement puisse se dissiper suffisamment. Assurez-vous que les fentes d'aération ne sont pas recouvertes. Veillez à ce que l'appareil se trouve à distance suffisante des murs ou des objets, de sorte que l'air puisse circuler.

- Placez la glacière sur une surface stable. Veillez à ce que les fentes d'aération ne soient pas recouvertes, afin que l'air chaud puisse bien s'évacuer.


**REMARQUE**

Montez la glacière comme indiqué sur l'illustration (fig. **1**, page 3). Si la glacière est utilisée dans une autre position, l'appareil risque d'être endommagé.

- Raccordez la glacière (voir chapitre « Raccordement de la glacière », page 41).

**AVIS ! Risque de températures trop basses !**

Veillez à ne déposer dans la glacière que des objets ou des aliments qui peuvent être réfrigérés à la température sélectionnée.

- Appuyez pendant une à deux secondes sur la touche « ON/OFF » (fig. **3** 1, page 4).
- ✓ La LED «  » s'allume.
- ✓ L'écran (fig. **3** 5, page 4) s'allume et indique la température de refroidissement actuelle.

**ATTENTION ! Risque pour la santé CFX65DZ :**

Si le réglage de la température du compartiment congélateur (fig. **8** 1, page 6) est très bas (p. ex.  $-22\text{ °C}/-8\text{ °F}$ ), la plage de température du compartiment réfrigérateur du milieu (fig. **8** 2, page 6) peut également être négative.

**REMARQUE****Température affichée**

- **CFX28, CFX35W, CFX40W, CFX50W, CFX65W, CFX100W :**


La température affichée est celle du grand compartiment réfrigération et congélation (par exemple, CFX50W, CFX65W : fig. **7** 1, page 6).

- **CFX65DZ :**

- Avec cloison dans le compartiment réfrigération et congélation : la température affichée est celle du compartiment congélateur (fig. **8** 1, page 6).
- Sans cloison dans le compartiment réfrigération et congélation : La température réelle à l'intérieur peut différer de la température indiquée.

- ✓ La glacière commence par la réfrigération du compartiment intérieur.

**REMARQUE**

En cas de fonctionnement sur batterie, l'écran s'éteint automatiquement lorsque la tension de la batterie est faible. La LED «  » clignote en orange.

**Verrouillage de la glacière**

- Fermez le couvercle.
- Abaissez le verrouillage (fig. **2** 1, page 3) jusqu'à ce qu'il s'enclenche de manière audible.

**7.6 Réglage de la température**

- Appuyez une fois sur la touche « SET » (fig. **3** 4, page 4).
- Réglez la température de refroidissement à l'aide des touches « UP + » (fig. **3** 7, page 4) ou « DOWN – » (fig. **3** 6, page 4).
- ✓ L'écran affiche la température de refroidissement sélectionnée pendant quelques secondes. L'écran clignote plusieurs fois avant de revenir à l'affichage de la température actuelle.

## 7.7 Activation du signal WLAN pour l'appli en option (tous modèles sauf CFX 28 et CFX 65DZ)

La glacière peut être pilotée à l'aide d'une application sur le réseau WLAN, compatible avec l'appareil. L'application utilise de fonctions de contrôle, d'affichage et d'alarme.

Vous trouverez de plus amples informations sur le site Web Dometic de votre pays (voir au dos). Veuillez noter que l'application peut ne pas être disponible dans votre pays.

Le nom du réseau WLAN du compresseur-glacière commence par « CFX ». Le mot de passe réglé par défaut est « 00000000 ». Vous pouvez modifier individuellement le nom WLAN et le mot de passe.

### Activer/désactiver le signal WLAN

- Appuyez cinq fois sur la touche « SET » (fig. **3** 4 page 4).
- Activez ou désactivez le signal WLAN à l'aide des touches « UP + » (fig. **3** 7, page 4) ou « DOWN – » (fig. **3** 6, page 4).
- ✓ L'écran affiche le réglage sélectionné pendant quelques secondes. L'écran clignote plusieurs fois avant de revenir à l'affichage de la température actuelle.



#### REMARQUE

- Dans le réglage en usine, l'émetteur WLAN est éteint. Durant la première mise en service et après une interruption de courant, vous devez allumer l'émetteur WLAN pour pouvoir utiliser l'appli.
- L'émetteur WLAN consomme peu de courant. Pour optimiser les performances énergétiques, désactivez l'émetteur WLAN lorsqu'il n'est pas utilisé.

### Réinitialisation du WLAN à la configuration usine

Si vous avez personnalisé les réglages WLAN de la glacière à l'aide de l'application WLAN et que vous avez oublié votre mot de passe, vous pouvez réinitialiser la glacière à la configuration usine en suivant la procédure ci-après :

- Appuyez cinq fois sur la touche « SET » (fig. **3** 4 page 4).
- Appuyez pendant au moins cinq secondes sur la touche « UP + » (fig. **3** 7, page 4).
- ✓ L'indication « rES » clignote plusieurs fois sur l'écran avant de revenir à l'affichage précédent.

- ✓ Les réglages WLAN ont été réinitialisés à la configuration usine.

Pour plus d'informations, rendez-vous sur le site Web Dometic sur lequel vous avez téléchargé l'application.

## 7.8 Réglage de la luminosité de l'écran

Dans l'obscurité, la luminosité de l'écran peut être atténuée. Pour régler la luminosité de l'écran, procédez comme suit :

- Allumez la glacière.
- Appuyez quatre fois sur la touche « SET » (fig. **3** 4, page 4).
- Réglez la luminosité de l'écran à l'aide des touches « UP + » (fig. **3** 7, page 4) ou « DOWN – » (fig. **3** 6, page 4).
- ✓ L'écran indique :
  - d0 (réglage prédéfini), d1 (luminosité moyenne), d2 (sombre)
- ✓ L'écran affiche le mode sélectionné pendant quelques secondes. L'écran clignote plusieurs fois avant de revenir à l'affichage de la luminosité actuelle.



### REMARQUE

- Le réglage d'usine de la luminosité de l'écran est d0 (réglage prédéfini).
- En cas de dysfonctionnement, la luminosité revient automatiquement à d0 (réglage prédéfini). Après résolution de la panne, la luminosité réglée par l'utilisateur sera de nouveau activée.

## 7.9 Utilisation de l'interrupteur d'urgence (le cas échéant)

Sur les modèles, sauf le CFX28 (fig. **4** 3, page 4), l'interrupteur d'urgence se trouve sous le panneau de commande. Sur le CFX28, l'interrupteur d'urgence se trouve au dessus des douilles de raccordement. Pour le fonctionnement normal, le commutateur est placé sur « NORMAL USE » (utilisation normale).

- En cas de dysfonctionnement de l'électronique de commande, réglez le commutateur sur « EMERGENCY OVERRIDE » (mode urgence).



### REMARQUE

Le commutateur est placé sur « EMERGENCY OVERRIDE » (mode urgence), la glacière fonctionne à pleine puissance frigorifique et son contenu peut être congelé.

## 7.10 Port USB pour l'alimentation électrique

Vous pouvez utiliser le port USB pour le chargement de petits appareils (par ex. un téléphone mobile ou un lecteur MP3).

Pour utiliser votre glacière avec un appareil USB, branchez simplement un câble USB (non fourni) sur l'appareil.



### REMARQUE

Assurez-vous que le petit appareil branché sur le port USB soit utilisable sous 5 V/500 mA.

## 7.11 Arrêt de la glacière

- Videz la glacière.
- Éteignez la glacière.
- Débranchez le câble de raccordement.

Lorsque vous ne voulez pas utiliser la glacière pendant une période prolongée :

- Laissez le couvercle légèrement ouvert. Vous évitez ainsi la formation d'odeurs.

## 7.12 Dégivrage de la glacière

L'humidité de l'air peut se condenser sous forme de givre au niveau de l'évaporateur ou à l'intérieur de la glacière et diminuer ainsi sa puissance frigorifique. Veillez donc à dégivrer l'appareil à temps.



### AVIS ! Risque d'endommagement !

N'utilisez jamais d'outils durs ou pointus pour enlever les couches de glace ou pour détacher des objets pris dans le givre.

Procédez de la manière suivante pour dégivrer la glacière :

- Retirez les aliments.
- Placez-les éventuellement dans un autre réfrigérateur pour qu'ils restent froids.
- Éteignez l'appareil.
- Laissez le couvercle ouvert.
- Essayez l'eau provenant du dégivrage.

## 7.13 Remplacement du fusible de l'appareil



### **DANGER ! Danger de mort par électrocution !**

Débranchez l'alimentation électrique et le câble de raccordement avant de changer le fusible de l'appareil.

- Débranchez l'alimentation électrique de l'appareil.
- Débranchez les câbles de raccordement.
- Retirez le porte-fusible (fig. **4** 2, page 4) en faisant par ex. levier avec un tournevis.
- Remplacez le fusible en verre défectueux par un nouveau fusible en verre de même valeur (4 A 250 V).
- Remplacez le porte-fusible dans le boîtier, en appuyant dessus.
- Raccordez l'alimentation électrique de l'appareil.

## 7.14 Remplacement du fusible du connecteur (12/24 V)

- Dévissez le boîtier de la fiche de contact (fig. **9** 3, page 6) du connecteur (fig. **9** 1, page 6).
- Remplacez le fusible défectueux (fig. **9** 2, page 6) par un nouveau fusible de même valeur (3 AG, 15 A).
- Remontez le connecteur en effectuant les opérations dans l'ordre inverse.

## 7.15 Remplacement de la platine de commande lumineuse

- Débranchez l'alimentation électrique de l'appareil.
- Ouvrez le cache transparent à l'aide d'un tournevis (fig. **10** 1, page 6).
- Retirez les vis de montage de la platine de commande (fig. **10** 2, page 6).
- Retirez la fiche de la platine de commande (fig. **10** 3, page 6).
- Remplacez la platine de commande défectueuse par une neuve.
- Mettez en place une nouvelle platine de commande en exécutant dans l'ordre inverse des étapes décrites pour la dépose de la platine de commande.
- Remplacez le couvercle transparent dans le boîtier.
- Raccordez l'alimentation électrique de l'appareil.



## 8 Entretien et nettoyage



### AVERTISSEMENT !

Avant toute opération de nettoyage ou d'entretien de l'appareil, veillez à le mettre hors secteur.



### AVIS ! Risque d'endommagement !

- Ne nettoyez jamais la glacière à l'eau courante et ne la plongez pas non plus dans l'eau.
- N'utilisez pour le nettoyage ni produits abrasifs ni objets durs qui pourraient endommager la glacière.

- Nettoyez de temps à autre l'appareil à l'intérieur et à l'extérieur avec un chiffon humide.
- Assurez-vous que les ouvertures d'aération et de ventilation de l'appareil ne sont pas encombrées de saletés ou de poussières, pour que la chaleur générée par le fonctionnement soit évacuée et que l'appareil ne soit pas endommagé.

## 9 Garantie

Le délai légal de garantie s'applique. Si le produit s'avérait défectueux, veuillez vous adresser à la filiale du fabricant située dans votre pays (voir adresses au verso du présent manuel) ou à votre revendeur spécialisé.

Veillez y joindre les documents suivants pour la gestion des réparations et de la garantie :

- une copie de la facture avec la date d'achat,
- le motif de la réclamation ou une description du dysfonctionnement.

## 10 Guide de dépannage

Dysfonctionnement	Cause possible	Solution proposée
L'appareil ne fonctionne pas, la LED n'est pas allumée.	La prise 12/24 V (allume-cigare) de votre véhicule n'est pas sous tension.	Dans la plupart des véhicules, le contact doit être mis pour que l'allume-cigares soit sous tension.
	La prise de tension alternative n'est pas sous tension.	Essayez une autre prise.
	Le fusible de l'appareil est défectueux.	Remplacez le fusible de l'appareil (voir chapitre « Remplacement du fusible de l'appareil », page 48).
	Le bloc d'alimentation intégré est défectueux.	La réparation doit être effectuée uniquement par un service après-vente agréé.
L'appareil ne réfrigère pas (le connecteur est branché, la LED « POWER » est allumée).	Compresseur défectueux.	La réparation doit être effectuée uniquement par un service après-vente agréé.
La glacière ne réfrigère pas (le connecteur est branché, la LED « POWER » clignote en orange, l'écran est éteint).	La tension de la batterie est insuffisante.	Contrôlez la batterie et chargez-la si nécessaire.

Dysfonctionnement	Cause possible	Solution proposée
<p>En cas de fonctionnement sur prise 12/24 V (allume-cigares) : L'allumage est en marche, l'appareil ne fonctionne pas et la LED n'est pas allumée. Retirez le connecteur de la prise, puis procédez aux contrôles suivants.</p>	<p>La prise de l'allume-cigares est sale. Ceci entraîne un mauvais contact électrique.</p> <hr/> <p>Le fusible de la prise 12/24 V est grillé.</p> <hr/> <p>Le fusible du véhicule est grillé.</p>	<p>Si la fiche devient très chaude lorsqu'elle est branchée dans la prise de l'allume-cigare, c'est que la prise de l'allume-cigare doit être nettoyée ou que la fiche n'est pas bien montée.</p> <hr/> <p>Remplacez le fusible (15 A) du connecteur 12/24 V, voir chapitre « Remplacement du fusible du connecteur (12/24 V) », page 48.</p> <hr/> <p>Remplacez le fusible du véhicule correspondant à la prise 12/24 V (normalement 15 A) (veuillez respecter les instructions du manuel d'utilisation de votre véhicule).</p>
<p>Un message d'erreur s'affiche (p. ex. « Err1 ») et l'appareil ne réfrigère pas.</p>	<p>Un dysfonctionnement interne a arrêté l'appareil.</p>	<p>La réparation doit être effectuée uniquement par un service après-vente agréé.</p>

## 11 Retraitement

- Jetez les emballages dans les conteneurs de déchets recyclables prévus à cet effet.



Lorsque vous mettez votre produit définitivement hors service, informez-vous auprès du centre de recyclage le plus proche ou auprès de votre revendeur spécialisé sur les prescriptions relatives au retraitement des déchets.

## 12 Caractéristiques techniques

	<b>CFX28</b>	<b>CFX35W</b>	<b>CFX40W</b>
N° de produit :	9105306636	9105306500	9105306637
Tension de raccordement :	12/24 V $\approx$ et 120 V $\sim$		
Courant nominal :	12 V $\approx$ : 6,5 A 24 V $\approx$ : 3,2 A 120 V $\sim$ : 0,65 A	12 V $\approx$ : 7,0 A 24 V $\approx$ : 3,2 A 120 V $\sim$ : 0,72 A	
Puissance frigorifique :	de +10 °C à -22 °C (de +50 °F à -8 °F)		
Catégorie :	1		
Classe d'efficacité énergétique :	A++	A++	
Consommation électrique :	61 kWh/an	62 kWh/an	64 kWh/an
Capacité :	28 l	34,5 l	41 l
Capacité utile :	26 l	32 l	38 l
Classe climatique :	N, T		
Température ambiante :	de +16 °C à +43 °C (+61 °F à 109 °F)		
Émissions sonores :	34 dB(A)	42 dB(A)	
Port USB :	5 V $\approx$ , 500 mA		
Quantité de fluide frigorigène :	38 g/1,34 oz	33 g/1,16 oz	38 g/1,34 oz
Équivalent CO <sub>2</sub> :	0,054 t/119,05 lbs	0,047 t/103,62 lbs	0,054 t/119,05 lbs
Potentiel d'effet de serre (GWP) :	1430		
Dimensions (L x H x P) (avec poignées)			
en mm :	342 x 425 x 620	398 x 411 x 692	398 x 461 x 692
en inch :	24,4 x 16,7 x 13,5	27,2 x 16,2 x 15,7	27,2 x 18,1 x 15,7
Poids :	13 kg 29 lbs	17,5 kg 39 lbs	18,5 kg 41 lbs

	<b>CFX50W</b>	<b>CFX65W</b>	<b>CFX65DZ</b>
N° de produit :	9105306638	9105306635	9105306501
Tension de raccordement :	12/24 V $\overline{=}$ et 120 V $\sim$		
Courant nominal :	12 V $\overline{=}$ : 7,8 A 24 V $\overline{=}$ : 3,6 A 120 V $\sim$ : 0,79 A	12 V $\overline{=}$ : 8,2 A 24 V $\overline{=}$ : 3,8 A 120 V $\sim$ : 0,88 A	12 V $\overline{=}$ : 5,5 A 24 V $\overline{=}$ : 2,6 A 120 V $\sim$ : 0,63 A
Puissance frigorifique :	de +10 °C à -22 °C (de +50 °F à -8 °F)		
Catégorie :	1		
Classe d'efficacité énergétique :	A++		A+
Consommation électrique :	66 kWh/an	69 kWh/an	115 kWh/an
Capacité :	50 l	65 l	avec diviseur : 61 l sans diviseur : 65 l
Capacité utile :	46 l	60 l	53 l
Classe climatique :	N, T		
Température ambiante :	de +16 °C à +43 °C (+61 °F à 109 °F)		
Émissions sonores :	42 dB(A)		
Port USB :	5 V $\overline{=}$ , 500 mA		
Quantité de fluide frigorigène :	43 g/1,52 oz	57 g/2,01 oz	31 g/1,09 oz
Équivalent CO <sub>2</sub> :	0,062 t/136,69 lbs	0,082 t/180,78 lbs	0,044 t/97,00 lbs
Potentiel d'effet de serre (GWP) :	1430		
Dimensions (L x H x P) (avec poignées)			
en mm :	725 x 471 x 455	725 x 561 x 455	725 x 561 x 455
en inch :	28,5 x 18,5 x 17,9	28,5 x 22,0 x 17,9	28,5 x 22,0 x 17,9
Poids :	20,4 kg 45 lbs	22,3 kg 49 lbs	23,2 kg 51 lbs

	<b>CFX100W</b>
N° de produit :	9105306678
Tension de raccordement :	12/24 V $\overline{=}$ et 120 V $\sim$
Courant nominal :	12 V $\overline{=}$ : 10,5 A 24 V $\overline{=}$ : 5,0 A 120 V $\sim$ : 0,95 A
Puissance frigorifique :	de +10 °C à -22 °C (de +50 °F à -8 °F)
Catégorie :	1
Classe d'efficacité énergétique :	A+
Consommation électrique :	98 kWh/an
Capacité :	100 l
Capacité utile :	88 l
Classe climatique :	N, T
Température ambiante :	de +16 °C à +43 °C (+61 °F à 109 °F)
Émissions sonores :	37 dB(A)
Port USB :	5 V $\overline{=}$ , 500 mA
Quantité de fluide frigorigène :	64 g/2,26 oz
Équivalent CO <sub>2</sub> :	0,092 t/202,83 lbs
Potentiel d'effet de serre (GWP) :	1430
Dimensions (L x H x P) (avec poignées) en mm : en inch :	957 x 472 x 530 37,7 x 18,6 x 20,9
Poids :	32 kg 70,5 lbs

**REMARQUE**

La température minimale ne peut plus être atteinte à des températures ambiantes supérieures à +32 °C (90 °F).

Le circuit frigorifique contient du R134a.

Contient des gaz à effet de serre fluorés

Équipement hermétiquement scellé

Contrôle/certificats :



Cet appareil est conforme à la partie 15 des règles de la FCC. Le fonctionnement est soumis aux deux conditions suivantes :

(1) cet appareil ne doit pas causer d'interférences nuisibles et

(2) cet appareil doit accepter toute interférence reçue, y compris les interférences qui peuvent causer un mauvais fonctionnement.

Des changements ou modifications non expressément approuvés par l'organisme responsable de la conformité pourraient annuler l'autorisation donnée à l'utilisateur d'utiliser l'équipement.

Cet équipement a été testé et jugé conforme aux limites d'un appareil numérique de classe B, conformément à la partie 15 des règles de la FCC. Ces limites sont conçues pour fournir une protection raisonnable contre les interférences nuisibles dans une installation résidentielle. Cet équipement génère, utilise et peut émettre une énergie radioélectrique et, s'il n'est pas installé et utilisé conformément aux instructions, peut causer des interférences nuisibles aux communications radio. Cependant, il n'y a aucune garantie que l'interférence ne se produira pas dans une installation particulière. Si cet appareil provoque des interférences nuisibles à la réception de la radio ou de la télévision, ce qui peut être déterminé en éteignant puis en rallumant l'appareil, l'utilisateur peut tenter de corriger l'interférence par une ou plusieurs des mesures suivantes :

- Réorienter ou déplacer l'antenne de réception.
- Augmenter la distance entre l'équipement et le récepteur.
- Brancher l'appareil dans une prise d'un circuit différent de celui auquel le récepteur est connecté.

Consulter le revendeur ou un technicien radio / TV expérimenté.

**Lea atentamente este manual antes de la puesta en funcionamiento del aparato y consérvelo en un lugar seguro para futuras consultas. En caso de vender o entregar el aparato a otra persona, entregue también estas instrucciones.**

El fabricante declina toda responsabilidad por los daños causados por **el uso inadecuado** o por el **uso incorrecto** del aparato.

## Índice

<b>1</b>	<b>Explicación de los símbolos</b> .....	57
<b>2</b>	<b>Indicaciones de seguridad</b> .....	58
2.1	Seguridad general. ....	58
2.2	Seguridad durante el funcionamiento del aparato .....	59
<b>3</b>	<b>Suministro de entrega</b> .....	60
<b>4</b>	<b>Accesorios</b> .....	60
<b>5</b>	<b>Uso adecuado</b> .....	61
<b>6</b>	<b>Descripción del funcionamiento</b> .....	62
6.1	Características .....	62
6.2	Elementos de mando y de visualización .....	63
<b>7</b>	<b>Manejo</b> .....	64
7.1	Antes del primer uso .....	64
7.2	Consejos para el ahorro de energía .....	65
7.3	Conexión de la nevera .....	65
7.4	Utilización del controlador de la batería .....	66
7.5	Uso de la nevera .....	68
7.6	Ajuste de la temperatura .....	69
7.7	Activar la señal WiFi para app opcional (todos menos CFX28 y CFX65DZ) .....	70
7.8	Ajustar el brillo de la pantalla .....	71
7.9	Uso interruptor de emergencia (si existe) .....	71
7.10	Conexión USB para alimentación de tensión .....	72
7.11	Apagado de la nevera .....	72
7.12	Descongelamiento de la nevera .....	72
7.13	Sustitución del fusible del aparato .....	73
7.14	Cambiar el fusible de la clavija (12/24 V) .....	73
7.15	Cambio de circuito impreso de luces .....	73



<b>8</b>	<b>Limpieza y mantenimiento</b> .....	74
<b>9</b>	<b>Garantía legal</b> .....	74
<b>10</b>	<b>Solución de averías</b> .....	75
<b>11</b>	<b>Gestión de residuos</b> .....	76
<b>12</b>	<b>Datos técnicos</b> .....	77

## 1 Explicación de los símbolos



### ¡ADVERTENCIA!

**Indicación de seguridad:** su incumplimiento puede acarrear la muerte o graves lesiones.



### ¡ATENCIÓN!

**Indicación de seguridad:** su incumplimiento puede acarrear lesiones.



### ¡AVISO!

Su incumplimiento puede acarrear daños materiales y perjudicar el correcto funcionamiento del producto.



### NOTA

Información adicional para el manejo del producto.

## 2 Indicaciones de seguridad

### 2.1 Seguridad general



#### ¡ADVERTENCIA!

- No ponga el aparato en funcionamiento si presenta desperfectos visibles.
- Si se daña el cable de conexión del aparato, éste deberá ser reemplazado por el fabricante, su servicio de atención al cliente o una persona cualificada para evitar así posibles peligros.
- Sólo personal especializado puede realizar reparaciones en el aparato. Las reparaciones realizadas indebidamente pueden dar lugar a situaciones de considerable peligro.
- Los niños mayores de 8 años y las personas de capacidad física, sensorial o mental disminuida, así como aquellas personas con falta de experiencia y/o conocimientos suficientes solo podrán utilizar este aparato si están vigilados o han sido instruidos respecto al uso seguro del aparato y a los posibles peligros que pueden emanar de él.
- Los niños solo podrán realizar las tareas de limpieza y mantenimiento bajo vigilancia.
- Los niños no están autorizados a jugar con el aparato.
- Se ha de vigilar a los niños para garantizar que no usen este aparato como juguete.
- Mantenga y utilice el aparato fuera del alcance de los niños menores de 8 años.
- No guarde en el aparato sustancias con peligro de explosión como, p. ej., atomizadores con gases combustibles.



#### ¡ATENCIÓN!

- Desconecte el aparato de la red
  - antes de realizar cualquier tarea de limpieza y mantenimiento;
  - después de cada uso.
- Los alimentos sólo se pueden guardar en los envases originales o en recipientes adecuados.



#### ¡AVISO!

- Compare el valor de tensión indicado en la placa de características con el suministro de energía existente.

- Conecte el aparato únicamente del siguiente modo:
  - conecte el cable de alimentación CC a una caja de enchufe CC en el vehículo (por ejemplo mechero del vehículo)
  - o bien conecte el cable de alimentación de CA a la red de corriente alterna
- No extraiga nunca la clavija de la caja de enchufe tirando del cable de conexión.
- Si la nevera está conectada a la caja de enchufe CC: Desconecte de la batería el aparato refrigerador u otros dispositivos consumidores si va a conectar un cargador rápido.
- Si la nevera está conectada a la caja de enchufe CC: Desconecte la conexión o apague el aparato cuando apague el motor. De lo contrario podrá descargarse la batería.
- Este aparato refrigerador no es apto para transportar sustancias corrosivas o disolventes.
- Este aislamiento de este aparato refrigerador contiene ciclopentanto inflamable. Los gases presentes en el material aislante requieren un proceso de eliminación especial. Elimine debidamente el aparato al final de su vida útil.

## 2.2 Seguridad durante el funcionamiento del aparato



### ¡ATENCIÓN!

- Antes de la puesta en funcionamiento, asegúrese de que el cable de alimentación y la clavija de enchufe estén secos.



### ¡AVISO!

- No utilice ningún aparato eléctrico dentro de la nevera, a no ser que el aparato en cuestión haya sido recomendado para ello por el fabricante.
- No coloque el aparato cerca de llamas vivas ni de otras fuentes de calor (calefacción, radiación directa del sol, estufas de gas, etc.).
- **¡Peligro de sobrecalentamiento!**  
Asegúrese todo el tiempo de que el calor producido durante el funcionamiento se puede desalojar adecuadamente. Asegúrese de que el aparato guarda la suficiente distancia con las paredes u objetos, de forma que el aire pueda circular.
- Procure que no se obstruyan las ranuras de ventilación.
- No introduzca líquidos ni hielo en el contenedor interior.

- No sumerja nunca el aparato en agua.
- Proteja el aparato y los cables del calor y de la humedad.

### 3 Suministro de entrega

fig. 1, página 3 muestra el volumen de entrega.

Pos.	Cantidad	Denominación
1	1	Nevera portátil
2	1	Cable de conexión de corriente continua
3	1	Cable de conexión de corriente alterna
-	1	Instrucciones de uso

### 4 Accesorios

Disponibles como accesorios (no incluidos en el volumen de entrega):

Denominación	N.º de art.	Modelo
Kit de fijación "Quick Release" CFX-QFK	9105306218	para CFX28
Pantalla remota CFX-WD	9105306642	apto para CFX28, CFX65DZ y modelos más antiguos sin función app de WiFi

En el sitio web de Dometic (véase al dorso) encontrará información acerca de una app de WiFi con funciones de control, visualización y alarma (**todos excepto** CFX28 y CFX65DZ). Puede que la app no esté disponible en su país.

## 5 Uso adecuado

La nevera es apta tanto para enfriar como para congelar los alimentos. Asimismo, el aparato también es apto para su funcionamiento en embarcaciones.

La nevera está diseñada para conectarse a una caja de enchufe de corriente continua de un automóvil (por ejemplo, el mechero del vehículo), de una caravana o una embarcación, así como a una red de corriente alterna.

Esta nevera está concebida para el uso doméstico o usos similares, como por ejemplo:

- en las cocinas destinadas al personal en establecimientos comerciales, oficinas u otros recintos de trabajo
- en el trabajo en el campo
- para los huéspedes de hoteles, moteles u otros tipos de alojamiento
- en pensiones con desayuno
- en servicios de catering y otras aplicaciones semejantes



### **¡ATENCIÓN! ¡Riesgo para la salud!**

Compruebe si la potencia de refrigeración del aparato cumple los requisitos de los alimentos o medicamentos que desea enfriar.

## 6 Descripción del funcionamiento

En la nevera se pueden enfriar, mantener fríos y congelar productos. La refrigeración se realiza a través de un circuito de refrigeración, exento de mantenimiento, con compresor. El aislamiento exterior extrafuerte y el compresor de alto rendimiento garantizan una refrigeración especialmente rápida.

La nevera está prevista para un uso portátil.

Para su uso en embarcaciones, la nevera puede funcionar con un ángulo de escora de 30°.

### 6.1 Características

- Fuente de alimentación con conexión de prioridad para conexión a la tensión alterna
- Controlador de la batería de tres etapas para proteger la batería del vehículo
- Pantalla con indicación de temperatura en °C y °F se apaga automáticamente en caso de tensión baja de la batería
- Regulación de temperatura: Con dos teclas a pasos de 1 °C (y a pasos de 2 °F)
- Emisor WiFi integrado y, por tanto, manejable con app (**todos excepto** CFX28 y CFX65DZ)
- Asas de transporte abatibles
- Conexión USB para alimentación de tensión
- Interruptor de emergencia (si existe)
- Cesta interior extraíble

## 6.2 Elementos de mando y de visualización

**Bloqueo de la tapa: fig. 2 1, página 3**

**Panel de mando (fig. 3, página 4)**

Pos.	Denominación	Explicación
1	ON OFF	Enciende o apaga la nevera cuando se pulsa la tecla durante uno o dos segundos
2	POWER "⏻"	Indicación del modo de funcionamiento LED iluminado en verde: el compresor está en marcha LED iluminado en naranja: el compresor está apagado LED intermitente en naranja: la pantalla se apaga automáticamente porque la tensión de la batería es baja
3	ERROR	LED intermitente en rojo: la nevera está encendida pero no lista para funcionar
4	SET	Selecciona el modo de entrada de datos: – Regulación de temperatura – Indicación de grados centígrados o Fahrenheit – Ajuste del controlador de la batería – Ajuste del brillo de la pantalla – Activación o desactivación de WiFi ( <b>todos excepto CFX28 y CFX65DZ</b> )
5	–	Pantalla, muestra los valores
6	DOWN –	Pulsando una vez, disminuye el valor de entrada seleccionado
7	UP +	Pulsando una vez, aumenta el valor de entrada seleccionado

**Conectores (fig. 4, página 4)**

Pos.	Denominación
1	Conectores para la alimentación de tensión alterna
2	Portafusibles
3	Interruptor de emergencia
4	Conexión USB para suministro de corriente
5	Conectores para la alimentación de tensión continua

# 7 Manejo

## 7.1 Antes del primer uso



### NOTA

Por razones de higiene, debería limpiar la nueva nevera por dentro y por fuera con un paño húmedo antes de ponerla en funcionamiento (véase también el capítulo “Limpieza y mantenimiento” en la página 74).

### **Cambiar de lado el tope de la tapa (CFX50W, CFX65W, CFX65DZ, CFX100W)**

Puede cambiar de lado el tope de la tapa, en caso de que desee abrir la tapa hacia el otro lado. Para ello proceda de la siguiente manera:

- Abra la tapa y retírela (fig. **5** A, página 5).
- Retire los tres tornillos respectivos de la bisagra lateral (fig. **5** B, página 5), y extraiga las bisagras.
- Retire las tapas de plástico de las nuevas posiciones de las bisagras laterales con ayuda de un pequeño destornillador y vuelva a colocarlas en las posiciones anteriores de las bisagras.
- Monte las bisagras en las nuevas posiciones.
- Coloque la tapa en la bisagra del lado opuesto (fig. **5** C, página 5) (para CFX50W, CFX65W, CFX65DZ).

También tiene que cambiar la posición central de la bisagra (solo CFX100W):

- Retire las dos tapas de plástico de la posición de la bisagra central (fig. **6** A, página 5).
- Retire los cuatro tornillos de la bisagra central (fig. **6** B, página 5) y retire la bisagra.
- Retire la tapa de plástico de la nueva posición de la bisagra con ayuda de un pequeño destornillador y vuelva a colocarla en la posición anterior de la bisagra (fig. **6** C, página 5).
- Monte la bisagra central en la nueva posición.
- Coloque la tapa en la bisagra del lado opuesto (fig. **6** D, página 5).



## Seleccionar la unidad de temperatura

Para la indicación de temperatura puede elegir entre grados centígrados o Fahrenheit. Para ello proceda de la siguiente manera:

- Encienda la nevera.
- Pulse dos veces el pulsador “SET” (fig. **3** 4, página 4).
- Ajuste con los pulsadores “UP +” (fig. **3** 7, página 4) o “DOWN –” (fig. **3** 6, página 4) la unidad de temperatura que desee: grados centígrados o Fahrenheit.
- ✓ La pantalla indica durante unos segundos la unidad de temperatura ajustada. La pantalla parpadea algunas veces antes de volver a mostrar la temperatura actual.

## 7.2 Consejos para el ahorro de energía

- Elija un lugar de montaje correctamente ventilado y protegido de la radiación solar.
- Antes de introducir alimentos calientes, deje que se enfríen.
- Evite abrir la nevera más de lo necesario.
- No deje la nevera abierta más tiempo del que sea necesario.
- Descongele la nevera cuando se forme una capa de escarcha.
- No regule una temperatura innecesariamente baja en el interior.

## 7.3 Conexión de la nevera

### Conexión a una batería (automóvil o embarcación)

La nevera puede funcionar con una tensión continua de 12 ó 24 V.



#### **¡AVISO! ¡Peligro de ocasionar daños materiales!**

Antes de cargar la batería con un cargador rápido, desconéctela de la nevera y de otros consumidores.

La sobretensión puede dañar el sistema electrónico de los aparatos.

Por motivos de seguridad, la nevera está equipada con una protección electrónica contra inversión de polaridad y contra cortocircuitos.

- Enchufe el cable de conexión de 12/24 V (fig. **1** 2, página 3) a la hembrilla de tensión continua del aparato y, seguidamente, conéctelo al mechero del vehículo (12 V o 24 V).

## Conexión a una red de corriente alterna de 120 V (por ejemplo, en casa o en la oficina)



### ¡PELIGRO! ¡Peligro de muerte por descarga eléctrica!

- No manipule los enchufes ni interruptores con las manos mojadas ni con los pies sobre una superficie mojada.
- Si va a utilizar la nevera a bordo de una embarcación a través de una conexión de tierra de 120 V a la red de corriente alterna, deberá conectar un interruptor de protección automático diferencial entre la red de corriente alterna de 120 V y la nevera. Consulte con un especialista.

Las neveras están provistas de una fuente de alimentación integrada de tensión múltiple con una conexión de prioridad para conectar a tensión alterna de 120 V. Esta conexión de prioridad conmuta automáticamente a funcionamiento a través de la red cuando el aparato está conectado a una red de corriente alterna de 120 V, aun cuando el cable de conexión de 12/24 V siga conectado.

- Enchufe el cable de conexión de 120 V (fig. **1** 3, página 3) a la hembrilla de tensión alterna del aparato y seguidamente conéctelo a la red de corriente alterna de 120 V.

## 7.4 Utilización del controlador de la batería

El aparato está provisto de un controlador de batería de varias etapas que evita que la batería del vehículo se descargue excesivamente al utilizar la red de a bordo de 12/24 V.

En caso de poner en funcionamiento el refrigerador en el vehículo con el contacto apagado, este se desconectará automáticamente en cuanto descienda la tensión de alimentación por debajo del valor programable. El refrigerador vuelve a conectarse tan pronto como se cargue la batería y se alcance la tensión de alimentación de reconexión.



### ¡AVISO! ¡Peligro de ocasionar daños materiales!

Cuando el controlador de la batería la desconecta, ésta ya no dispone de su capacidad de carga plena. Evite arranques reiterados o poner en funcionamiento otros aparatos conectados a la corriente sin fases de recarga prolongadas. Asegúrese de recargar la batería.

En el modo “HIGH” el controlador de batería se activa antes que en el nivel “LOW” y “MED” (véase la siguiente tabla).

Modo del controlador de batería	LOW	MED	HIGH
Tensión de desconexión a 12 V	10,1 V	11,4 V	11,8 V
Tensión de reconexión a 12 V	11,1 V	12,2 V	12,6 V
Tensión de desconexión a 24 V	21,5 V	24,1 V	24,6 V
Tensión de reconexión a 24 V	23,0 V	25,3 V	26,2 V

Para cambiar el modo del controlador de la batería, proceda como sigue:

- ▶ Encienda la nevera.
- ▶ Pulse tres veces la tecla “SET” (fig. **3** 4, página 4).
- ▶ Ajuste con los pulsadores “UP +” (fig. **3** 7, página 4) o “DOWN –” (fig. **3** 6, página 4) el modo para el controlador de la batería.
- ✓ En la pantalla se muestra lo siguiente:  
Lo (LOW), Πd (MED), Hi (HIGH)
- ✓ La pantalla indica durante unos segundos el modo ajustado. La pantalla parpadea algunas veces antes de volver a mostrar la temperatura actual.



#### NOTA

Cuando la nevera está alimentada por la batería de arranque, seleccione el modo del controlador de batería “HIGH”. Cuando la nevera está conectada a una batería de alimentación, es suficiente el modo de controlador de batería “LOW”.

## 7.5 Uso de la nevera



### ¡AVISO! ¡Peligro de sobrecalentamiento!

Asegúrese de que quede constantemente garantizada una salida adecuada del calor que se desprende durante el funcionamiento. Evite que se obstruyan las ranuras de ventilación. Asegúrese también de que el aparato guarde la suficiente distancia respecto a paredes u objetos, de forma que el aire pueda circular.

- Coloque la nevera sobre una base firme. Procure que no se obstruyan las ranuras de ventilación y que el aire recalentado se evacue correctamente.



### NOTA

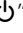
Coloque la nevera como se indica en (fig. **1**, página 3). Si la nevera se pone en marcha en otra posición, podría sufrir daños.

- Conecte la nevera, véase capítulo “Conexión de la nevera” en la página 65.



### ¡AVISO! ¡Peligro debido a una temperatura demasiado baja!

Asegúrese de que en la nevera solo haya objetos o productos que puedan enfriarse a la temperatura ajustada.

- Mantenga el pulsador “ON/OFF” (fig. **3** 1, página 4) pulsado durante uno o dos segundos.
- ✓ El LED “” se ilumina.
- ✓ La pantalla (fig. **3** 5, página 4) se enciende e indica la temperatura de enfriamiento actual.



### ¡ATENCIÓN! ¡Riesgo para la salud! CFX65DZ:

Si la temperatura en el congelador (fig. **8** 1, página 6) se ha ajustado a un valor muy bajo (por ejemplo,  $-22\text{ °C}/-8\text{ °F}$ ), puede ocurrir que el rango de temperatura en el compartimento central (fig. **8** 2, página 6) esté también por debajo de cero.

**NOTA****Temperatura indicada**

- **CFX28, CFX35W, CFX40W, CFX50W, CFX65W, CFX100W:**

La temperatura indicada se refiere al compartimento grande de refrigeración y de congelación (por ejemplo, CFX50W, CFX65W: fig. 7 1, página 6).

- **CFX65DZ:**

- Con pared divisoria en el compartimento de refrigeración y de congelación: la temperatura indicada se refiere al congelador (fig. 8 1, página 6).
- Sin pared divisoria en el compartimento de refrigeración y de congelación: la temperatura real en el interior puede variar ligeramente de la aquí mostrada.

- ✓ La nevera empieza a enfriar el interior.

**NOTA**

Durante el funcionamiento con una batería, la pantalla se apaga automáticamente si la tensión de la batería es baja. El LED "⏻" parpadea en naranja.

**Bloqueo de la nevera**

- Cierre la tapa.
- Presione el bloqueo (fig. 2 1, página 3) hacia abajo hasta que lo oiga encajar.

**7.6 Ajuste de la temperatura**

- Presione una vez el pulsador "SET" (fig. 3 4, página 4).
- Ajuste la temperatura de enfriamiento con los pulsadores "UP +" (fig. 3 7, página 4) o "DOWN –" (fig. 3 6, página 4).
- ✓ La pantalla indica durante unos segundos la temperatura de enfriamiento ajustada. La pantalla parpadea algunas veces antes de volver a mostrar la temperatura actual.

## 7.7 Activar la señal WiFi para app opcional (todos menos CFX28 y CFX65DZ)

La nevera se puede controlar a través de WLAN con una app que se puede instalar en cualquier dispositivo compatible. La app dispone de funciones de control, visualización y alarma.

Encontrará información más detallada en el sitio web de Dometic de su país (véase al dorso). Tenga en cuenta que es posible que la app no esté disponible en su país.

El nombre WiFi de la nevera con compresor empieza con "CFX". La contraseña preajustada de fábrica es "00000000". El nombre WiFi y la contraseña se pueden cambiar individualmente.

### Encendido/apagado de la señal de WLAN

- ▶ Pulse cinco veces la tecla "SET" (fig. 3 4, página 4).
- ▶ Con los pulsadores "UP +" (fig. 3 7, página 4) o "DOWN –" (fig. 3 6, página 4) active o desactive la señal WiFi.
- ✓ La pantalla indica durante algunos segundos los ajustes deseados. La pantalla parpadea algunas veces antes de volver a mostrar la temperatura actual.



#### NOTA

- En la configuración de fábrica, el emisor WiFi está desactivado. Durante la primera puesta en funcionamiento y después de cada corte de corriente, usted deberá activar el emisor WiFi para poder utilizar la app.
- El emisor WLAN consume muy poca corriente. Para alcanzar un rendimiento energético óptimo, apague el emisor WLAN cuando no esté en uso.

### Restablecimiento de ajustes de fábrica de WLAN

Si ha personalizado los ajustes de WLAN de la nevera a través de la app de WLAN y ha olvidado su contraseña, puede restablecer los ajustes de fábrica de la nevera de la siguiente manera:

- ▶ Pulse cinco veces la tecla "SET" (fig. 3 4, página 4).
- ▶ Mantenga el pulsador "UP +" (fig. 3 7, página 4) pulsado durante al menos cinco segundos.
- ✓ En las pantallas parpadea varias veces el mensaje "rES" antes de volver a la visualización anterior.
- ✓ Los ajustes de WLAN se han restablecido a los ajustes de fábrica.

Para obtener más información visite el sitio web de Dometic desde el que haya descargado la app.

## 7.8 Ajustar el brillo de la pantalla

En un entorno oscuro se puede atenuar el brillo de la pantalla. Para ajustar el brillo de la pantalla proceda tal y como se indica a continuación:

- ▶ Encienda la nevera.
- ▶ Presione cuatro veces el pulsador “SET” (fig. **3** 4, página 4).
- ▶ Ajuste el brillo de la pantalla con los pulsadores “UP +” (fig. **3** 7, página 4) o “DOWN –” (fig. **3** 6, página 4).
- ✓ En la pantalla se muestra lo siguiente:  
d0 (por defecto), d1 (brillo mediano), d2 (oscuro)
- ✓ La pantalla indica durante unos segundos el modo ajustado. La pantalla parpadea algunas veces antes de volver al brillo actual.



### NOTA

- El ajuste por defecto del brillo de la pantalla es d0 (preajustado).
- Si se produce una avería, el brillo pasa automáticamente al ajuste por defecto d0 (preajustado). Tras la solución de averías se vuelve a activar el brillo ajustado.

## 7.9 Uso interruptor de emergencia (si existe)

El interruptor de emergencia (fig. **4** 3, página 4) se encuentra debajo del panel de control en todos los modelos, exceptuando el CFX28. En el CFX28, el interruptor de emergencia está encima de las hembrillas de conexión. Para el funcionamiento normal el interruptor se coloca en “NORMAL USE” (uso normal).

- ▶ Si se produce una avería en la electrónica de control, coloque el interruptor en “EMERGENCY OVERRIDE” (accionamiento de emergencia).



### NOTA

Si el interruptor está en “EMERGENCY OVERRIDE”, la nevera funciona a la máxima potencia y se puede congelar el contenido.

## 7.10 Conexión USB para alimentación de tensión

La conexión USB se puede utilizar para cargar dispositivos pequeños (como por ejemplo teléfonos móviles y reproductores de MP3).

Si desea utilizar su nevera con un dispositivo USB, solo tiene que conectar un cable USB (no incluido en el volumen de entrega) al aparato.



### NOTA

Asegúrese de que el dispositivo pequeño que enchufe a la conexión USB sea adecuado para el funcionamiento con 5 V/500 mA.

## 7.11 Apagado de la nevera

- ▶ Vacíe la nevera.
- ▶ Apague la nevera.
- ▶ Desenchufe el cable de conexión.

Si no va a usar la nevera durante un largo período de tiempo:

- ▶ Deje la tapa ligeramente abierta. De esta forma, evitará la formación de olores.

## 7.12 Descongelamiento de la nevera

Es posible que la humedad del aire se deposite en forma de escarcha en el evaporador o en el interior de la nevera, disminuyendo de este modo la potencia frigorífica. Descongele a tiempo el aparato.



### ¡AVISO! ¡Peligro de ocasionar daños materiales!

Nunca utilice herramientas duras ni puntiagudas para retirar capas de hielo o despegar productos que se hayan adherido al congelarse.

Para descongelar la nevera, proceda como se indica a continuación:

- ▶ Extraiga los productos.
- ▶ En caso necesario, coloque los productos en otro frigorífico para mantenerlos fríos.
- ▶ Apague el aparato.
- ▶ Deje abierta la tapa.
- ▶ Seque con un paño el agua descongelada.



## 7.13 Sustitución del fusible del aparato



### ¡PELIGRO! ¡Peligro de muerte por descarga eléctrica!

Antes de sustituir el fusible del aparato, desconecte la alimentación de tensión y el cable de conexión.

- Desconecte la alimentación de tensión al aparato.
- Desenchufe el cable de conexión.
- Retire el juego de fusibles (fig. **4** 2, página 4) por ejemplo con un destornillador.
- Cambie el fusible de cristal averiado por otro nuevo del mismo valor (4 A, 250 V).
- Vuelva a presionar el juego de fusibles en la carcasa.
- Conecte la alimentación de tensión al aparato.

## 7.14 Cambiar el fusible de la clavija (12/24 V)

- Desatornille la carcasa de clavija de contacto (fig. **9** 3, página 6) de la clavija (fig. **9** 1, página 6).
- Cambie el fusible averiado (fig. **9** 2, página 6) por otro nuevo con el mismo valor (3AG, 15 A).
- Vuelva a montar el enchufe procediendo en el orden inverso.

## 7.15 Cambio de circuito impreso de luces

- Desconecte la alimentación de tensión al aparato.
- Abra la cubierta transparente con un destornillador (fig. **10** 1, página 6).
- Suelte los tornillos de montaje del circuito impreso (fig. **10** 2, página 6).
- Extraiga la clavija del circuito impreso (fig. **10** 3, página 6).
- Cambie el circuito impreso de luces defectuoso por uno nuevo.
- Coloque un nuevo circuito impreso realizando en sentido inverso los pasos indicados en las instrucciones para quitar el circuito impreso.

- Coloque la cubierta transparente nuevamente en la carcasa.
- Conecte la alimentación de tensión al aparato.

## 8 Limpieza y mantenimiento



### ¡ADVERTENCIA!

Desconecte el aparato de la red antes de proceder con la limpieza o el mantenimiento del mismo.



### ¡AVISO! ¡Peligro de ocasionar daños materiales!

- Nunca limpie la nevera bajo el chorro de agua corriente ni inmersa en agua jabonosa.
- No emplee productos de limpieza corrosivos u objetos que puedan arañar o deteriorar el aparato durante su limpieza.

- Limpie de vez en cuando el interior y el exterior de la nevera con un paño húmedo.
- Asegúrese de que las aberturas de ventilación y desaireación del aparato estén limpias de polvo para que se pueda evacuar el calor generado durante el funcionamiento y el aparato no resulte perjudicado.

## 9 Garantía legal

Rige el plazo de garantía legal. Si el producto presenta algún defecto, diríjase a la sucursal del fabricante de su país (ver direcciones en el dorso de estas instrucciones) o a su establecimiento especializado.

Para la tramitación de la reparación y de la garantía debe enviar también los siguientes documentos:

- una copia de la factura con fecha de compra,
- el motivo de la reclamación o una descripción de la avería.

## 10 Solución de averías

Avería	Posible causa	Propuesta de solución
El aparato no funciona, el LED no se ilumina.	No hay tensión en la caja de enchufe de 12/24 V (mechero) del vehículo.	En la mayoría de los vehículos debe estar conectado el interruptor de encendido para que el mechero reciba tensión.
	La caja de enchufe de tensión alterna no conduce tensión.	Inténtelo en otra toma.
	El fusible del aparato está averiado.	Cambie el fusible del aparato, véase capítulo "Sustitución del fusible del aparato" en la página 73.
	La fuente de alimentación integrada está averiada.	Solo un servicio de atención al cliente autorizado puede realizar la reparación.
El aparato no enfría (la clavija está conectada, el LED "POWER" se ilumina).	Compresor averiado.	Solo un servicio de atención al cliente autorizado puede realizar la reparación.
La nevera no enfría (la clavija está conectada, el LED "POWER" parpadea en naranja, la pantalla está apagada).	La tensión de batería no es suficiente.	Compruebe la batería y cárguela si fuera necesario.

Avería	Posible causa	Propuesta de solución
Al funcionar conectada a la caja de enchufe de 12/24 V (mechero del vehículo):	El alojamiento del mechero está sucio, y, en consecuencia, el contacto eléctrico es defectuoso.	Cuando la clavija se calienta demasiado en el casquillo del mechero, puede ser que dicho casquillo esté sucio, en cuyo caso se deberá limpiar, o también es posible que no se haya montado la clavija correctamente.
El encendido está conectado, pero el aparato no funciona y el LED no está iluminado.	Se ha fundido el fusible de la clavija de 12/24 V.	Cambie el fusible (15 A) de la clavija de 12/24 V, consulte capítulo “Cambiar el fusible de la clavija (12/24 V)” en la página 73.
Desenchufe la nevera y realice las siguientes comprobaciones.	Se ha fundido el fusible de la caja de enchufe del vehículo.	Cambie el fusible de la caja de enchufe de 12/24 V del vehículo (normalmente 15 A) (consulte para ello las instrucciones de su automóvil).
En la pantalla se indica un mensaje de error (por ejemplo, “Err1”) y el aparato no enfría.	El aparato se ha apagado por un fallo interno.	Solo un servicio de atención al cliente autorizado puede realizar la reparación.

## 11 Gestión de residuos

- Deseche el material de embalaje en el contenedor de reciclaje correspondiente.



Cuando vaya a desechar definitivamente el producto, infórmese en el centro de reciclaje más cercano o en un comercio especializado sobre las normas pertinentes de eliminación de materiales.

## 12 Datos técnicos

	<b>CFX28</b>	<b>CFX35W</b>	<b>CFX40W</b>
N.º de art.:	9105306636	9105306500	9105306637
Tensión de conexión:	12/24 V $\overline{=}$ y 120 V $\sim$		
Corriente nominal:	12 V $\overline{=}$ : 6.5 A 24 V $\overline{=}$ : 3.2 A 120 V $\sim$ : 0.65 A	12 V $\overline{=}$ : 7.0 A 24 V $\overline{=}$ : 3.2 A 120 V $\sim$ : 0.72 A	
Potencia de refrigeración:	+10 °C hasta -22 °C (+50 °F hasta -8 °F)		
Categoría:	1		
Clase de eficiencia energética:	A++	A++	
Consumo de energía:	61 kWh/año	62 kWh/año	64 kWh/año
Capacidad bruta:	28 l	34,5 l	41 l
Capacidad útil:	26 l	32 l	38 l
Clase climática:	N, T		
Temperatura ambiente:	de +16 °C a +43 °C (+61 °F a 109 °F)		
Emisiones de ruido:	34 dB(A)	42 dB(A)	
Conexión USB:	5 V $\overline{=}$ , 500 mA		
Cantidad de refrigerante:	38 g/1,34 oz	33 g/1,16 oz	38 g/1,34 oz
Equivalente a CO <sub>2</sub> :	0,054 t/119,05 lbs	0,047 t/103,62 lbs	0,054 t/119,05 lbs
Índice GWP:	1430		
Dimensiones (A x H x P) (con asas) en mm: en pulgadas:	342 x 425 x 620 24,4 x 16,7 x 13,5	398 x 411 x 692 27,2 x 16,2 x 15,7	398 x 461 x 692 27,2 x 18,1 x 15,7
Peso:	13 kg 29 lbs	17,5 kg 39 lbs	18,5 kg 41 lbs

	<b>CFX50W</b>	<b>CFX65W</b>	<b>CFX65DZ</b>
N.º de art.:	9105306638	9105306635	9105306501
Tensión de conexión:	12/24 V $\overline{=}$ y 120 V $\sim$		
Corriente nominal:	12 V $\overline{=}$ : 7.8 A 24 V $\overline{=}$ : 3.6 A 120 V $\sim$ : 0.79 A	12 V $\overline{=}$ : 8.2 A 24 V $\overline{=}$ : 3.8 A 120 V $\sim$ : 0.88 A	12 V $\overline{=}$ : 5.5 A 24 V $\overline{=}$ : 2.6 A 120 V $\sim$ : 0.63 A
Potencia de refrigeración:	+10 °C hasta -22 °C (+50 °F hasta -8 °F)		
Categoría:	1		
Clase de eficiencia energética:	A++		A+
Consumo de energía:	66 kWh/año	69 kWh/año	115 kWh/año
Capacidad bruta:	50 l	65 l	con distribuidor: 61 l sin distribuidor: 65 l
Capacidad útil:	46 l	60 l	53 l
Clase climática:	N, T		
Temperatura ambiente:	de +16 °C a +43 °C (+61 °F a 109 °F)		
Emisiones de ruido:	42 dB(A)		
Conexión USB:	5 V $\overline{=}$ , 500 mA		
Cantidad de refrigerante:	43 g/1,52 oz	57 g/2,01 oz	31 g/1,09 oz
Equivalente a CO <sub>2</sub> :	0,062 t/136,69 lbs	0,082 t/180,78 lbs	0,044 t/97,00 lbs
Índice GWP:	1430		
Dimensiones (A x H x P) (con asas) en mm: en pulgadas:	725 x 471 x 455 28,5 x 18,5 x 17,9	725 x 561 x 455 28,5 x 22,0 x 17,9	725 x 561 x 455 28,5 x 22,0 x 17,9
Peso:	20,4 kg 45 lbs	22,3 kg 49 lbs	23,2 kg 51 lbs

	<b>CFX100W</b>
N.º de art.:	9105306678
Tensión de conexión:	12/24 V $\overline{=}$ y 120 V $\sim$
Corriente nominal:	12 V $\overline{=}$ : 10,5 A 24 V $\overline{=}$ : 5,0 A 120 V $\sim$ : 0,95 A
Potencia de refrigeración:	+10 °C hasta -22 °C (+50 °F hasta -8 °F)
Categoría:	1
Clase de eficiencia energética:	A+
Consumo de energía:	98 kWh/año
Capacidad bruta:	100 l
Capacidad útil:	88 l
Clase climática:	N, T
Temperatura ambiente:	de +16 °C a +43 °C (+61 °F a 109 °F)
Emisiones de ruido:	37 dB(A)
Conexión USB:	5 V $\overline{=}$ , 500 mA
Cantidad de refrigerante:	64 g/2,26 oz
Equivalente a CO <sub>2</sub> :	0,092 t/202,83 lbs
Índice GWP:	1430
Dimensiones (A x H x P) (con asas) en mm: en pulgadas:	957 x 472 x 530 37,7 x 18,6 x 20,9
Peso:	32 kg 70,5 lbs

**NOTA**

A partir de temperaturas ambiente superiores a +32 °C (90 °F) no será posible alcanzar la temperatura mínima.

El circuito de refrigeración contiene R134a.

Contiene gases de efecto invernadero fluorados

Aparato sellado herméticamente

Inspección/certificados:



Este dispositivo cumple las disposiciones establecidas en la sección 15 de las normas de la Comisión Federal de Comunicaciones (FCC). Su funcionamiento está sujeto a las dos siguientes condiciones:

(1) Este dispositivo no provoca interferencias perjudiciales

(2) Este dispositivo debe aceptar cualquier interferencia recibida, incluidas aquellas que puedan causar un funcionamiento inadecuado

Los cambios o modificaciones no autorizados expresamente por la parte responsable de su cumplimiento podrían invalidar la autoridad del usuario de operar el equipo.

Las pruebas efectuadas en este equipo han servido para determinar que cumple los límites de dispositivos digitales de clase B, especificados en la sección 15 de las normas de la FCC. Dichos límites se han establecido con el fin de conceder un margen razonable de protección contra interferencias perjudiciales en áreas residenciales. Este equipo genera, utiliza y puede irradiar energía de radiofrecuencia y, si no se instala y utiliza de acuerdo con las instrucciones, puede provocar interferencias perjudiciales en las radiocomunicaciones. No obstante, no se garantiza que no se producirán interferencias en una instalación determinada. Si este equipo provoca interferencias en la recepción radiofónica o televisiva, lo que puede determinarse encendiendo y apagando el equipo, se recomienda al usuario que trate de corregirlas mediante una o más de las siguientes medidas:

- Cambiar la orientación o ubicación de la antena receptora.
- Aumentar la separación entre el equipo y el receptor.
- Enchufar el equipo en un tomacorriente que pertenezca a un circuito distinto a del receptor.
- Consultar al distribuidor o a un técnico experto en radio y televisión para obtener ayuda.



**Por favor, leia atentamente este manual antes da colocação em funcionamento do aparelho e guarde-o em local seguro. Em caso de revenda do aparelho, entregue o manual ao novo comprador.**

O fabricante não se responsabiliza por danos resultantes de uma **utilização inadequada** ou de uma **operação incorrecta**.

## Índice

<b>1</b>	<b>Explicação dos símbolos</b> .....	82
<b>2</b>	<b>Indicações de segurança</b> .....	83
2.1	Segurança geral. ....	83
2.2	Segurança durante a utilização do aparelho .....	84
<b>3</b>	<b>Material fornecido</b> .....	85
<b>4</b>	<b>Acessórios</b> .....	85
<b>5</b>	<b>Utilização adequada</b> .....	86
<b>6</b>	<b>Descrição do funcionamento</b> .....	87
6.1	Âmbito de funções .....	87
6.2	Elementos de comando e de indicação .....	88
<b>7</b>	<b>Utilização</b> .....	89
7.1	Antes da primeira utilização .....	89
7.2	Sugestões para poupar energia .....	90
7.3	Conectar a geleira .....	90
7.4	Utilizar o monitorizador da bateria .....	91
7.5	Utilizar a geleira .....	93
7.6	Regular a temperatura .....	94
7.7	Ativar o sinal WLAN para a aplicação opcional (todos os modelos, exceto CFX28 e CFX65DZ) .....	95
7.8	Configurar a luminosidade do mostrador .....	96
7.9	Utilizar o interruptor de emergência (se existente) .....	96
7.10	Conexão USB para a alimentação de tensão .....	97
7.11	Desligar a geleira .....	97
7.12	Descongela a geleira .....	97
7.13	Substituir o fusível do aparelho .....	98
7.14	Substituir o fusível da ficha (12/24 V) .....	98
7.15	Substituir a placa do circuito de luz .....	98
<b>8</b>	<b>Limpeza e manutenção</b> .....	99

9	<b>Garantia</b> .....	99
10	<b>Eliminação de falhas</b> .....	100
11	<b>Eliminação</b> .....	101
12	<b>Dados técnicos</b> .....	102

## 1 Explicação dos símbolos



### **AVISO!**

**Indicação de segurança:** o incumprimento pode provocar a morte ou ferimentos graves.



### **PRECAUÇÃO!**

**Indicação de segurança:** o incumprimento pode provocar ferimentos.



### **NOTA!**

O incumprimento pode causar danos materiais e pode prejudicar o funcionamento do produto.



### **OBSERVAÇÃO**

Informações suplementares sobre a operação do produto.

## 2 Indicações de segurança

### 2.1 Segurança geral



#### AVISO!

- Quando o aparelho apresentar danos visíveis, ele não deve ser colocado em funcionamento.
- Quando o cabo de conexão for danificado, o mesmo tem de ser substituído pelo fabricante, pela sua assistência técnica ou por uma pessoa com qualificações equivalentes para evitar perigos.
- As reparações neste aparelho apenas devem ser realizadas por técnicos especializados. As reparações inadequadas podem provocar perigos substanciais.
- Este aparelho pode ser utilizado por crianças a partir dos 8 anos, assim como por pessoas com capacidades físicas, sensoriais ou mentais reduzidas e/ou com insuficiente experiência e conhecimento, quando supervisionadas ou quando tenham recebido informação acerca da utilização segura do aparelho e tenham compreendido os perigos dele resultantes.
- A limpeza e a manutenção por parte do utilizador não podem ser efetuadas por crianças sem supervisão.
- As crianças não podem brincar com o aparelho.
- As crianças devem ser supervisionadas para garantir que não brincam com o aparelho.
- Guarde e utilize o aparelho fora do alcance de crianças com idade inferior a 8 anos.
- Não guarde as substâncias com risco de explosão, como p.ex. latas de spray com gás carburante inflamável, no aparelho.



#### PRECAUÇÃO!

- Separe o aparelho da rede
  - antes de cada limpeza e conservação
  - após cada utilização
- Os géneros alimentícios apenas podem ser armazenados nas embalagens originais ou recipientes adequados.



#### NOTA!

- Compare a indicação da tensão na placa de características com a alimentação de energia existente.

- Conecte o aparelho apenas do seguinte modo:
  - com o cabo de ligação DC à tomada de bordo DC (p. ex. isqueiro) no veículo.
  - ou com o cabo de ligação de AC à rede de corrente alternada
- Nunca retire a ficha da tomada eléctrica puxando pelo cabo de conexão.
- Se a geleira estiver ligada à tomada DC: Desconecte a sua geleira e outros consumidores da bateria antes de conectar um carregador rápido.
- Se a geleira estiver ligada à tomada DC: Separe a ligação ou desligue a geleira se desligar o motor. Caso contrário, a bateria pode ficar descarregada.
- A geleira não é adequada para o transporte de substâncias corrosivas ou substâncias com solventes.
- Este aparelho contém ciclopentano inflamável no isolamento. Os gases no material de isolamento requerem um processo de eliminação especial. No final da sua vida útil, entregue o aparelho num ponto de eliminação apropriado.

## 2.2 Segurança durante a utilização do aparelho



### PRECAUÇÃO!

- Antes da colocação em funcionamento, tenha atenção para que o cabo de conexão e a ficha estejam secos.



### NOTA!

- Não utilize aparelhos eléctricos dentro da geleira, excepto se estes aparelhos tiverem sido recomendados pelo fabricante.
- Não coloque o aparelho na proximidade de chamas abertas ou outras fontes de calor (aquecimento, radiação solar intensa, fogões a gás, etc.).
- **Perigo de sobreaquecimento!**  
Tenha sempre atenção para que o calor gerado durante o funcionamento possa ser dissipado adequadamente. Certifique-se de que o aparelho está posicionado com uma distância suficiente em relação a paredes ou objectos de modo a que o ar possa circular livremente.
- Tenha atenção para que as aberturas de ventilação não sejam cobertas.
- Não verta líquidos ou gelo para dentro do recipiente interior.

- Nunca mergulhe o aparelho em água.
- Proteja o aparelho e os cabos do calor e da humidade.

### 3 Material fornecido

fig. **1**, página 3, mostra o material fornecido.

Pos.	Quantidade	Designação
1	1	Geleira
2	1	Cabo de conexão para corrente contínua
3	1	Cabo de conexão de corrente alternada
-	1	Manual de instruções

### 4 Acessórios

Disponível como acessório (não consta do material fornecido):

Designação	N.º art.	Modelo
Kit de fixação Quick-Release CFX-QFK	9105306218	para CFX28
Mostrador remoto CFX-WD	9105306642	adequado para CFX28, CFX65DZ e modelos mais antigos sem função de aplicação WLAN

Na página Internet da Dometic (ver verso) encontra informações sobre uma aplicação WLAN com funções de controlo, indicação e alarme (**todos os modelos, exceto CFX28 e CFX65DZ**). Possivelmente a aplicação não está disponível no seu país.

## 5 Utilização adequada

A geleira é adequada para refrigerar e congelar géneros alimentícios. O aparelho também é adequado para a utilização em embarcações.

O aparelho de refrigeração foi concebido para funcionar numa tomada de corrente contínua de um veículo, (p.ex. o isqueiro), de uma embarcação ou de uma caravana, e igualmente com uma rede de corrente alternada.

A geleira foi concebida para a utilização doméstica e outras áreas de utilização semelhantes como por exemplo

- em copas de lojas, escritórios e outras áreas de trabalho
- na agricultura
- por hóspedes em hotéis, motéis ou outros alojamentos
- em pensões com pequeno-almoço
- no Catering e outras utilizações semelhantes no comércio grossista



### **PRECAUÇÃO! Risco para a saúde!**

Por favor, verifique se a potência de refrigeração do aparelho cumpre os requisitos dos géneros alimentícios ou dos medicamentos que pretende refrigerar.

## 6 Descrição do funcionamento

A geleira pode refrigerar géneros e mantê-los no frio assim como congelá-los. A refrigeração é feita através de um circuito de refrigeração com compressor que não carece de manutenção. O isolamento extra-resistente e o eficiente compressor garantem um arrefecimento especialmente rápido.

A geleira é adequada para a utilização móvel.

Na utilização em barcos, a geleira pode ser instalada com uma inclinação de 30°.

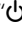
### 6.1 Âmbito de funções

- Fonte de alimentação com ligação prioritária à corrente alternada
- Monitorizador da bateria com três níveis para proteção da bateria do veículo
- Mostrador com visualização da temperatura em °C e °F desliga automaticamente em caso de uma tensão da bateria baixa
- Regulação da temperatura: Com dois botões em passos de 1 °C (e passos de 2 °F)
- Emissor WLAN integrado, assim, utilizável através da aplicação (**todos os modelos, exeto CFX28 e CFX65DZ**)
- Pegas articuladas
- Conexão USB para a alimentação de tensão
- Interruptor de emergência (se existente)
- Cesto amovível

## 6.2 Elementos de comando e de indicação

**Bloqueio da tampa: fig. 2 1, página 3**

**Painel de controlo (fig. 3, página 4)**

Pos.	Designação	Explicação
1	ON OFF	Liga ou desliga a geleira quando o botão é pressionado durante um a dois segundos
2	POWER “  ”	Indicação de funcionamento LED acende a verde: compressor ligado LED acende a laranja: compressor desligado LED pisca a laranja: o mostrador foi desligado automaticamente porque a tensão da bateria está baixa
3	ERROR	LED pisca a vermelho: o aparelho está ligado mas não está operacional
4	SET	Seleciona o modo de introdução – Regulação da temperatura – Indicação em °Centígrados ou °Fahrenheit – Regular o monitorizador da bateria – Configurar a luminosidade do mostrador – Ligar ou desligar a WLAN ( <b>todos os modelos, exceto CFX28 e CFX65DZ</b> )
5	–	Mostrador, indica os valores
6	DOWN –	Ao tocar uma vez, diminui o valor introduzido selecionado
7	UP +	Ao tocar uma vez, aumenta o valor introduzido selecionado

**Tomadas de ligação (fig. 4, página 4)**

Pos.	Designação
1	Tomada de ligação da alimentação de tensão alternada
2	Porta-fusíveis
3	Interruptor de emergência
4	Conexão USB para a fonte de alimentação
5	Tomada de ligação da alimentação de tensão contínua



# 7 Utilização

## 7.1 Antes da primeira utilização



### OBSERVAÇÃO

Por razões de higiene, antes de colocar a nova geleira em funcionamento deverá limpar o interior e o exterior com um pano húmido (ver também capítulo “Limpeza e manutenção” na página 99).

### Inverter o encosto da tampa (CFX 50W, CFX 65W, CFX 65DZ, CFX 100W)

É possível inverter o encosto da tampa se pretender abrir a tampa para o outro lado. Para esse efeito, proceda do seguinte modo:

- ▶ Abra a tampa e remove-a (fig. **5** A, página 5).
- ▶ Remova respetivamente os três parafusos das dobradiças (fig. **5** B, página 5) e retire as dobradiças.
- ▶ Remova as coberturas de plástico das posições das charneiras novas com a ajuda de uma chave de parafusos e volte a colocá-las nas posições antigas das dobradiças.
- ▶ Coloque as dobradiças nas novas posições.
- ▶ Coloque a tampa nas dobradiças do lado oposto (fig. **5** C, página 5) (para CFX 50W, CFX 65W, CFX 65DZ).

Adicionalmente, terá que trocar a posição central da dobradiça (apenas CFX 100W):

- ▶ Remova duas coberturas de plástico da posição central da dobradiça (fig. **6** A, página 5).
- ▶ Remova os quatro parafusos da dobradiça central (fig. **6** B, página 5) e retire a dobradiça.
- ▶ Remova a cobertura de plástico da nova posição da dobradiça com a ajuda de uma pequena chave de parafusos e volte a colocá-la na posição antiga da dobradiça (fig. **6** C, página 5).
- ▶ Coloque a dobradiça central na nova posição.
- ▶ Coloque a tampa nas dobradiças do lado oposto (fig. **6** D, página 5).

## Selecionar a unidade de temperatura

Poderá selecionar a indicação de temperatura entre os valores para °Centígrados e °Fahrenheit. Para esse efeito, proceda do seguinte modo:

- ▶ Ligue a geleira.
- ▶ Prima duas vezes o botão “SET” (fig. **3** 4, página 4).
- ▶ Regule a unidade de temperatura para °Centígrados ou °Fahrenheit com os botões “UP +” (fig. **3** 7, página 4) ou “DOWN –” (fig. **3** 6, página 4).
- ✓ O mostrador indica, durante alguns segundos, a unidade de temperatura que foi regulada. O mostrador pisca algumas vezes antes de voltar a apresentar a temperatura atual.

## 7.2 Sugestões para poupar energia

- Escolha um local de utilização bem arejado e protegido de raios solares.
- Primeiro, deixe as refeições quentes arrefecer antes de as manter frescas.
- Não abra a geleira mais do que as vezes necessárias.
- Não deixe a geleira aberta mais tempo do que o necessário.
- Descongele o aparelho de refrigeração logo que se formar uma camada de gelo.
- Evite uma temperatura interna desnecessariamente baixa.

## 7.3 Conectar a geleira

### Ligar a uma bateria (carro ou barco)

A geleira pode funcionar com corrente contínua de 12 V ou de 24 V.



#### **NOTA! Perigo de danos!**

Desligue a geleira e outros consumidores da bateria antes de carregar a mesma com um carregador rápido.

As sobretensões podem danificar o sistema eletrónico dos aparelhos.

Para efeitos de segurança, a geleira está equipada com uma proteção eletrónica contra a inversão da polaridade quando é ligada à bateria e que também protege a geleira contra curto-circuitos.

- ▶ Encaixe o cabo de ligação de 12/24 V (fig. **1** 2, página 3) na tomada de tensão contínua e ligue o cabo ao isqueiro ou a uma tomada de 12 V ou 24 V.

## **Conectar a uma rede de corrente alternada de 120 V (p.ex., em casa ou no escritório)**



### **PERIGO! Perigo de morte devido a choque elétrico!**

- Nunca manipule as fichas e os interruptores quando tiver as mãos molhadas ou quando tiver os pés em pavimento molhado.
- Se utilizar a sua geleira a bordo de um barco com ligação a uma rede de corrente alternada de 120 V em terra firme, deverá sempre instalar um interruptor de segurança entre a rede de corrente alternada de 120 V e a geleira.  
Solicite o parecer de um técnico especializado.

As geleiras têm uma fonte de alimentação integrada para múltiplas tensões com ligação prioritária a uma tensão alternada de 120 V. O funcionamento com alimentação pela rede é ligado automaticamente pela ligação prioritária quando o aparelho estiver ligado a uma rede de corrente alternada de 120 V, mesmo que ainda esteja conectado o cabo para a ligação de 12/24 V.

- ▶ Encaixe o cabo de conexão de 120 V (fig. **1** 3, página 3) na entrada de tensão alternada do aparelho e ligue-o à rede de corrente alternada de 120 V.

## **7.4 Utilizar o monitorizador da bateria**

O aparelho está equipado com um monitorizador da bateria que evita que a bateria do veículo se descarregue excessivamente ao ser ligada à rede de bordo de 12/24 V.

Se a geleira for operada com a ignição do veículo desligada, desliga-se automaticamente logo que a tensão de alimentação desça abaixo de um valor regulado. A geleira liga-se novamente assim que a tensão de reativação for alcançada através do carregamento da bateria.



### **NOTA! Perigo de danos!**

Quando a bateria é desligada através do monitorizador da bateria deixa de dispor da sua capacidade de carga completa. Evite arranques contínuos ou por em funcionamento outros consumidores de corrente sem ter carregado bem a bateria. Garanta que a bateria é recarregada.

No modo “HIGH”, o monitorizador da bateria é mais rapidamente ativado do que nos níveis “LOW” e “MED” (ver seguinte tabela).

<b>Modo do monitorizador da bateria</b>	<b>LOW</b>	<b>MED</b>	<b>HIGH</b>
<b>Tensão de desligamento a 12 V</b>	10,1 V	11,4 V	11,8 V
<b>Tensão de reativação a 12 V</b>	11,1 V	12,2 V	12,6 V
<b>Tensão de desligamento a 24 V</b>	21,5 V	24,1 V	24,6 V
<b>Tensão de reativação a 24 V</b>	23,0 V	25,3 V	26,2 V

Para alterar o modo do monitorizador da bateria, proceda do seguinte modo:

- ▶ Ligue a geleira.
- ▶ Prima três vezes o botão “SET” (fig. **3** 4, página 4).
- ▶ Regule com os botões “UP +” (fig. **3** 7, página 4) ou “DOWN –” (fig. **3** 6, página 4), o modo do monitorizador da bateria.
- ✓ No mostrador é exibida a seguinte informação:  
Lo (LOW), Πd (MED), Hi (HIGH)
- ✓ O mostrador indica, durante alguns segundos, o modo ajustado. O mostrador pisca algumas vezes antes de voltar a apresentar a temperatura atual.



### **OBSERVAÇÃO**

Quando a geleira é alimentada pela bateria de arranque, selecione o modo do monitorizador da bateria “HIGH”. Quando a geleira está conectada a uma bateria de alimentação, é suficiente o modo do monitorizador da bateria “LOW”.

## 7.5 Utilizar a geleira



### **NOTA! Perigo de sobreaquecimento!**

Tenha sempre atenção para que o calor gerado durante o funcionamento seja dissipado adequadamente. Tenha atenção para que as aberturas de ventilação não sejam obstruídas. Certifique-se de que o aparelho está posicionado a uma distância suficiente de paredes ou objetos de modo a que o ar possa circular livremente.

- ▶ Pouse a geleira sobre uma superfície estável. Tenha atenção para que as aberturas de ventilação não sejam cobertas e o ar aquecido possa sair adequadamente.



### **OBSERVAÇÃO**


Coloque a geleira como ilustrado na (fig. **1**, página 3). Se colocar a geleira em funcionamento noutra posição, pode danificá-la.

- ▶ Ligue a geleira, ver capítulo “Conectar a geleira” na página 90.



### **NOTA! Perigo devido a temperatura demasiado baixa!**

Certifique-se de que na geleira apenas se encontram objetos ou produtos que possam ser refrigerados à temperatura selecionada.

- ▶ Prima o botão “ON/OFF” (fig. **3** 1, página 4) durante um a dois segundos.
- ✓ O LED “” acende.
- ✓ O mostrador (fig. **3** 5, página 4) liga-se e indica a temperatura de refrigeração atual.



### **PRECAUÇÃO! Risco para a saúde!** **CFX65DZ:**

Se a temperatura no compartimento do congelador (fig. **8** 1, página 6) estiver ajustada de modo demasiado baixo (p.ex.,  $-22\text{ }^{\circ}\text{C}/-8\text{ }^{\circ}\text{F}$ ), também a área da temperatura pode apresentar graus negativos no compartimento central (fig. **8** 2, página 6).

**OBSERVAÇÃO****Temperatura exibida****• CFX28, CFX35W, CFX40W, CFX50W, CFX65W, CFX100W:**

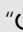
A temperatura exibida refere-se ao compartimento de refrigeração e de congelação grande (p.ex., CFX50W, CFX65W: fig. **7** 1, página 6).

**• CFX65 DZ:**

- Com parede de separação no compartimento de refrigeração e de congelação: A temperatura exibida refere-se ao compartimento de refrigeração (fig. **8** 1, página 6).
- Sem parede de separação no compartimento de refrigeração e de congelação: A temperatura real no interior pode divergir um pouco da temperatura exibida.

- ✓ A geleira inicia a refrigeração do interior.

**OBSERVAÇÃO**

No funcionamento com uma bateria, o mostrador desliga automaticamente quando a tensão da bateria é demasiado baixa. O LED “” pisca a laranja.

**Bloquear a geleira**

- Feche a tampa.
- Pressione o bloqueio (fig. **2** 1, página 3) para baixo até ele engrenar de forma audível.

**7.6 Regular a temperatura**

- Prima uma vez o botão “SET” (fig. **3** 4, página 4).
- Regule a temperatura de refrigeração com os botões “UP +” (fig. **3** 7, página 4) ou “DOWN –” (fig. **3** 6, página 4).
- ✓ O mostrador indica, durante alguns segundos, a temperatura de refrigeração pretendida que foi regulada. O mostrador pisca algumas vezes antes de voltar a apresentar a temperatura atual.

## 7.7 Ativar o sinal WLAN para a aplicação opcional (todos os modelos, exceto CFX28 e CFX65DZ)

O aparelho de refrigeração pode ser comandado via WLAN com uma aplicação que pode ser instalada num aparelho compatível. A aplicação está equipada com funções de controlo, indicação e alarme.

Encontra informações mais pormenorizadas na página web da Dometic do seu país (ver verso). Lembre-se de que a aplicação poderá não estar disponível no seu país.

O nome WLAN da geleira com compressor inicia com “CFX”. A palavra-passe predefinida é “00000000”. O nome da WLAN e a palavra-passe podem ser modificados individualmente.

### Ligar/desligar o sinal WLAN

- ▶ Prima cinco vezes o botão “SET” (fig. **3** 4, página 4).
- ▶ Ligue ou desligue o sinal WLAN com os botões “UP +” (fig. **3** 7, página 4) ou “DOWN –” (fig. **3** 6, página 4).
- ✓ O indicador indica, durante alguns segundos, o ajuste pretendido. O mostrador pisca algumas vezes antes de voltar a apresentar a temperatura atual.



#### OBSERVAÇÃO

- O emissor WLAN está desligado na definição de fábrica. Para poder utilizar a aplicação é necessário ligar o emissor WLAN durante a primeira colocação em funcionamento e após cada interrupção de corrente.
- O emissor WLAN utiliza uma pequena quantidade de corrente elétrica. Para alcançar uma capacidade energética ótima, desligue o emissor WLAN se o mesmo não for utilizado.

### Repor a WLAN para as configurações de fábrica

Se tiver personalizado as regulações WLAN do aparelho de refrigeração através da aplicação WLAN e se tiver esquecido da sua palavra-passe, poderá repor o aparelho de refrigeração para as definições de fábrica da seguinte forma:

- ▶ Prima cinco vezes o botão “SET” (fig. **3** 4, página 4).
- ▶ Mantenha o botão “UP +” (fig. **3** 7, página 4) premido durante, pelo menos, cinco segundos.
- ✓ Nos mostradores pisca algumas vezes “rES” antes dos mesmos serem repostos para a representação anterior.

- ✓ As regulações WLAN foram repostas para a definição de fábrica.

Para obter mais informações, visite a página web da Dometic da qual descarregou a aplicação.

## 7.8 Configurar a luminosidade do mostrador

Num ambiente escuro, a luminosidade do mostrador pode ser alterada. Para ajustar a luminosidade do mostrador, proceda do seguinte modo:

- ▶ Ligue a geleira.
- ▶ Prima quatro vezes o botão “SET” (fig. **3** 4, página 4).
- ▶ Regule a luminosidade do mostrador com os botões “UP +” (fig. **3** 7, página 4) ou “DOWN –” (fig. **3** 6, página 4).
- ✓ No mostrador é exibida a seguinte informação:  
d0 (predefinição), d1 (luminosidade média), d2 (escuro)
- ✓ O mostrador indica, durante alguns segundos, o modo ajustado. O mostrador pisca algumas vezes antes de voltar a apresentar a luminosidade atual.



### OBSERVAÇÃO

- O ajuste de fábrica da luminosidade do mostrador é d0 (predefinição).
- Se ocorrer uma falha, a luminosidade é automaticamente ajustada para d0 (predefinição). Após a eliminação da falha, a luminosidade ajustada é novamente ativada.

## 7.9 Utilizar o interruptor de emergência (se existente)

Em todos os modelos, exceto no CFX 28, o interruptor de emergência (fig. **4** 3, página 4) encontra-se por baixo do painel de comando. No CFX28, o interruptor de emergência encontra-se sobre as tomadas de ligação. Para o funcionamento normal, o interruptor encontra-se em “NORMAL USE” (utilização normal).

- ▶ Se ocorrer uma falha da eletrónica de comando, faça deslizar o interruptor até “EMERGENCY OVERRIDE” (acionamento de emergência).



### OBSERVAÇÃO

Se o interruptor estiver na posição “EMERGENCY OVERRIDE”, a geleira funciona com a potência de refrigeração total e o conteúdo pode ser congelado.



## 7.10 Conexão USB para a alimentação de tensão

Poderá utilizar a conexão USB para carregar peças de pequenas dimensões (p.ex. telemóveis e leitores MP3).

Se pretender utilizar a sua geleira com um dispositivo USB, conecte simplesmente um cabo USB (não incluído no material fornecido) ao dispositivo.



### **OBSERVAÇÃO**

Certifique-se de que o aparelho de pequenas dimensões conectado à conexão USB é adequado para o funcionamento com 5 V/500 mA.

## 7.11 Desligar a geleira

- ▶ Esvazie a geleira.
- ▶ Desligue a geleira.
- ▶ Retire o cabo de conexão da tomada.

Se não pretender utilizar a geleira durante um período de tempo mais prolongado:

- ▶ Deixe a tampa ligeiramente aberta. Deste modo, evita a formação de odores.

## 7.12 Descongelar a geleira

A humidade do ar pode formar gelo no vaporizador ou no interior da geleira, o que reduz a potência de arrefecimento. Descongele o aparelho atempadamente.



### **NOTA! Perigo de danos!**

Nunca utilize ferramentas duras ou pontiagudas para retirar as camadas de gelo ou para libertar objetos congelados.

Proceda do seguinte modo para descongelar a geleira:

- ▶ Retire os produtos congelados.
- ▶ Se necessário, guarde-os num outro aparelho de refrigeração para que permaneçam frios.
- ▶ Desligue o aparelho.
- ▶ Deixe a tampa aberta.
- ▶ Limpe a água de degelo.

## 7.13 Substituir o fusível do aparelho



### **PERIGO! Perigo de morte devido a choque elétrico!**

Separe a alimentação de tensão e substitua o cabo de conexão antes de substituir o fusível do aparelho.

- Separe a alimentação de tensão até ao aparelho.
- Retire os cabos de conexão das tomadas.
- Retire o encaixe do fusível (fig. **4** 2, página 4) com, p.ex., uma chave de parafusos.
- Substitua o fusível queimado com defeito por um novo fusível em vidro com as mesmas características (4 A, 250 V).
- Volte a pressionar o encaixe do fusível para dentro da caixa.
- Feche a alimentação de tensão até ao aparelho.

## 7.14 Substituir o fusível da ficha (12/24 V)

- Desaparafuse a caixa do pino de contacto (fig. **9** 3, página 6) da ficha (fig. **9** 1, página 6).
- Substitua o fusível queimado (fig. **9** 2, página 6) por um fusível novo com as mesmas características (3AG, 15 A).
- Volte a montar a ficha na sequência inversa.

## 7.15 Substituir a placa do circuito de luz

- Separe a alimentação de tensão até ao aparelho.
- Abra a cobertura transparente com a ajuda de uma chave de parafusos (fig. **10** 1, página 6).
- Solte os parafusos de montagem da placa de circuitos (fig. **10** 2, página 6).
- Retire a ficha da placa de circuitos (fig. **10** 3, página 6).
- Substitua a placa do circuito de luz danificada por uma nova.
- Aplique uma nova placa de circuitos, executando, em sequência inversa, os passos descritos na instrução para a remoção da placa de circuitos.
- Volte a colocar a cobertura transparente na caixa.
- Feche a alimentação de tensão até ao aparelho.

## 8 Limpeza e manutenção

**AVISO!**

Antes de cada limpeza e conservação, separe o aparelho da rede.

**NOTA! Perigo de danos!**

- Nunca limpe a geleira debaixo de água corrente nem dentro de água de lavar a loiça.
- Não utilize produtos de limpeza abrasivos ou objectos duros para a limpeza, uma vez que podem danificar a geleira.

- De vez em quando, limpe o interior e o exterior do aparelho com um pano húmido.
- Certifique-se que as aberturas de ventilação e extracção de ar do aparelho estão livres de pó e sujidade para que, durante o funcionamento, o ar quente possa ser extraído e o aparelho não seja danificado.

## 9 Garantia

É válido o prazo de garantia legal. Se o produto estiver com defeito, por favor, dirija-se à representação do fabricante no seu país (endereços, ver verso do manual) ou ao seu revendedor.

Para fins de reparação ou de garantia, terá de enviar os seguintes documentos em conjunto:

- uma cópia da factura com a data de aquisição,
- um motivo de reclamação ou uma descrição da falha.

## 10 Eliminação de falhas

<b>Anomalia</b>	<b>Possível causa</b>	<b>Sugestão de resolução</b>
O aparelho não funciona, o LED não acende.	A tomada de 12/24 V (isqueiro) do veículo não tem corrente.	Na maioria dos veículos, a ignição tem de estar ligada para que o isqueiro do veículo tenha tensão elétrica.
	Tomada da tensão alternada sem tensão.	Tente novamente noutra tomada.
	O fusível do aparelho está queimado.	Substitua o fusível do aparelho, ver capítulo “Substituir o fusível do aparelho” na página 98.
	A fonte de alimentação integrada está avariada.	A reparação apenas pode ser realizada por um serviço de assistência técnica autorizado.
O aparelho não refrigera (ficha inserida na tomada, LED “POWER” acende).	Compressor avariado.	A reparação apenas pode ser realizada por um serviço de assistência técnica autorizado.
O aparelho não refrigera (ficha inserida na tomada, LED “POWER” pisca a laranja, mostrador desligado).	Tensão da bateria insuficiente.	Verifique a bateria e, se necessário, carregue-a.

<b>Anomalia</b>	<b>Possível causa</b>	<b>Sugestão de resolução</b>
No funcionamento numa tomada de 12/24 V (isqueiro): a ignição está ligada, o aparelho não funciona e o LED não acende. Retire a ficha da tomada e realize as seguintes verificações.	O suporte do isqueiro está sujo. Isto resulta num mau contacto elétrico.	Quando a ficha ficar muito quente no suporte do isqueiro do veículo, é necessário limpar o suporte ou é possível que a ficha não esteja montada corretamente.
	O fusível da ficha de 12/24 V está queimado.	Substitua o fusível (15 A) da ficha de 12/24 V, ver capítulo “Substituir o fusível da ficha (12/24 V)” na página 98.
	O fusível do veículo está queimado.	Substitua o fusível do veículo da tomada de isqueiro de 12/24 V (normalmente 15 A) (para isso, consulte o manual de instruções do seu veículo).
O mostrador indica uma mensagem de erro (p.ex. “Err1”) e o aparelho não refrigera.	Uma falha de funcionamento interna desligou o aparelho.	A reparação apenas pode ser realizada por um serviço de assistência técnica autorizado.

## 11 Eliminação

- ▶ Sempre que possível, coloque o material de embalagem no respectivo contentor de reciclagem.



Para colocar o aparelho definitivamente fora de funcionamento, por favor, informe-se junto do centro de reciclagem mais próximo ou revendedor sobre as disposições de eliminação aplicáveis.

## 12 Dados técnicos

	<b>CFX28</b>	<b>CFX35W</b>	<b>CFX40W</b>
N.º art.:	9105306636	9105306500	9105306637
Tensão de conexão:	12/24 V $\overline{=}$ e 120 V $\sim$		
Corrente nominal:	12 V $\overline{=}$ : 6.5 A 24 V $\overline{=}$ : 3.2 A 120 V $\sim$ : 0.65 A		12 V $\overline{=}$ : 7.0 A 24 V $\overline{=}$ : 3.2 A 120 V $\sim$ : 0.72 A
Potência de refrigeração:	+10 °C até -22 °C (+50 °F até -8 °F)		
Categoria:	1		
Classe de eficiência energética:	A++	A++	
Consumo de energia:	61 kWh/ano	62 kWh/ano	64 kWh/ano
Volume bruto:	28 l	34,5 l	41 l
Volume útil:	26 l	32 l	38 l
Classe climática:	N, T		
Temperatura ambiente:	+16 °C até +43 °C (+61 °F até 109 °F)		
Emissões acústicas:	34 dB(A)	42 dB(A)	
Ligação USB:	5 V $\overline{=}$ , 500 mA		
Quantidade do agente de refrigeração:	38 g/1,34 oz	33 g/1,16 oz	38 g/1,34 oz
Equivalente a CO <sub>2</sub> :	0,054 t/119,05 lbs	0,047 t/103,62 lbs	0,054 t/119,05 lbs
Potencial de aquecimento global (GWP):	1430		
Dimensões (L x A x P) (com pegas) em mm: em polegadas:	342 x 425 x 620 24,4 x 16,7 x 13,5	398 x 411 x 692 27,2 x 16,2 x 15,7	398 x 461 x 692 27,2 x 18,1 x 15,7
Peso:	13 kg 29 lbs	17,5 kg 39 lbs	18,5 kg 41 lbs

	<b>CFX50W</b>	<b>CFX65W</b>	<b>CFX65DZ</b>
N.º art.:	9105306638	9105306635	9105306501
Tensão de conexão:	12/24 V $\overline{=}$ e 120 V $\sim$		
Corrente nominal:	12 V $\overline{=}$ : 7.8 A 24 V $\overline{=}$ : 3.6 A 120 V $\sim$ : 0.79 A	12 V $\overline{=}$ : 8.2 A 24 V $\overline{=}$ : 3.8 A 120 V $\sim$ : 0.88 A	12 V $\overline{=}$ : 5.5 A 24 V $\overline{=}$ : 2.6 A 120 V $\sim$ : 0.63 A
Potência de refrigeração:	+10 °C até -22 °C (+50 °F até -8 °F)		
Categoria:	1		
Classe de eficiência energética:	A++		A+
Consumo de energia:	66 kWh/ano	69 kWh/ano	115 kWh/ano
Volume bruto:	50 l	65 l	com separador: 61 l sem separador: 65 l
Volume útil:	46 l	60 l	53 l
Classe climática:	N, T		
Temperatura ambiente:	+16 °C até +43 °C (+61 °F até 109 °F)		
Emissões acústicas:	42 dB(A)		
Ligação USB:	5 V $\overline{=}$ , 500 mA		
Quantidade do agente de refrigeração:	43 g/1,52 oz	57 g/2,01 oz	31 g/1,09 oz
Equivalente a CO <sub>2</sub> :	0,062 t/136,69 lbs	0,082 t/180,78 lbs	0,044 t/97,00 lbs
Potencial de aquecimento global (GWP):	1430		
Dimensões (L x A x P) (com pegas) em mm: em polegadas:	725 x 471 x 455 28,5 x 18,5 x 17,9	725 x 561 x 455 28,5 x 22,0 x 17,9	725 x 561 x 455 28,5 x 22,0 x 17,9
Peso:	20,4 kg 45 lbs	22,3 kg 49 lbs	23,2 kg 51 lbs

	<b>CFX100W</b>
N.º art.:	9105306678
Tensão de conexão:	12/24 V $\overline{=}$ e 120 V $\sim$
Corrente nominal:	12 V $\overline{=}$ : 10,5 A 24 V $\overline{=}$ : 5,0 A 120 V $\sim$ : 0,95 A
Potência de refrigeração:	+10 °C até -22 °C (+50 °F até -8 °F)
Categoria:	1
Classe de eficiência energética:	A+
Consumo de energia:	98 kWh/ano
Volume bruto:	100 l
Volume útil:	88 l
Classe climática:	N, T
Temperatura ambiente:	+16 °C até +43 °C
Emissões acústicas:	37 dB(A)
Ligação USB:	5 V $\overline{=}$ , 500 mA
Quantidade do agente de refrigeração:	64 g/2,26 oz
Equivalente a CO <sub>2</sub> :	0,092 t/202,83 lbs
Potencial de aquecimento global (GWP):	1430
Dimensões (L x A x P) (com pegas) em mm: em polegadas:	957 x 472 x 530 37,7 x 18,6 x 20,9
Peso:	32 kg 70,5 lbs

**OBSERVAÇÃO**

A partir de temperaturas ambiente acima de 32 °C (90 °F), a temperatura mínima deixa de poder ser alcançada.



O circuito de refrigeração contém R134a.

Contém gases fluorados com efeito de estufa

Equipamento hermeticamente fechado

Verificação/Certificados:



Este aparelho está em conformidade com a Parte 15 das Normas da FCC (Comissão Federal de Comunicações). O funcionamento está sujeito às duas condições seguintes:

- (1) este aparelho não pode provocar interferências prejudiciais; e
- (2) este aparelho tem que aceitar todas as interferências recebidas, incluindo interferências que possam resultar num funcionamento indesejado.

Alterações ou modificações que não sejam expressamente aprovadas pela entidade responsável pela conformidade poderão invalidar a autoridade do utilizador no que se refere a operar o equipamento.

Este equipamento foi testado e ficou estabelecido que respeita os limites relativos a aparelhos digitais de Classe B de acordo com o disposto na Parte 15 das Normas da FCC. Estes limites foram criados para fornecer uma proteção razoável contra interferências prejudiciais em montagens residenciais. Este equipamento gera, usa e consegue emitir energia de radiofrequência e, caso não seja instalado e usado de acordo com as instruções, pode provocar interferências prejudiciais a comunicações por rádio. No entanto, não existe qualquer garantia de que não ocorrerão interferências em montagens específicas. Se este equipamento provocar interferências prejudiciais à receção de radiocomunicações ou de sinais de televisão, o que poderá ser determinado ligando e desligando o equipamento, o utilizador é encorajado a tentar corrigir a interferência recorrendo a uma ou mais das seguintes medidas:

- Reorientar ou mudar a antena recetora de sítio.
- Aumentar a distância entre o equipamento e o recetor.
- Ligar o equipamento a uma tomada cujo circuito não seja o mesmo ao qual o recetor está ligado.
- Consultar o revendedor ou um técnico especializado em equipamento de rádio/TV para obter ajuda.





**GERMANY****Dometic WAECO International GmbH**

Hollefeldstraße 63 · D-48282 Emsdetten  
 ☎ +49 (0) 2572 879-195 · 📠 +49 (0) 2572 879-322  
 Mail: info@dometic-waeco.de

**dometic.com****AUSTRALIA****Dometic Australia Pty. Ltd.**

1 John Duncan Court  
 Varsity Lakes QLD 4227  
 ☎ 1800 212121  
 📠 +61 7 55076001  
 Mail: sales@dometic.com.au

**AUSTRIA****Dometic Austria GmbH**

Neudorferstraße 108  
 A-2353 Guntramsdorf  
 ☎ +43 2236 908070  
 📠 +43 2236 90807060  
 Mail: info@dometic.at

**BENELUX****Dometic Branch Office Belgium**

Zincstraat 3  
 B-1500 Halle  
 ☎ +32 2 3598040  
 📠 +32 2 3598050  
 Mail: info@dometic.be

**BRAZIL****Dometic DO Brasil LTDA**

Avenida Paulista 1754, conj. 111  
 SP 01310-920 Sao Paulo  
 ☎ +55 11 3251 3352  
 📠 +55 11 3251 3362  
 Mail: info@dometic.com.br

**DENMARK****Dometic Denmark A/S**

Nordensvej 15, Taulov  
 DK-7000 Fredericia  
 ☎ +45 75585966  
 📠 +45 75586307  
 Mail: info@dometic.dk

**FINLAND****Dometic Finland OY**

Mestariitie 4  
 FIN-01730 Vantaa  
 ☎ +358 20 7413220  
 📠 +358 9 7593700  
 Mail: info@dometic.fi

**FRANCE****Dometic SAS**

ZA du Pré de la Dame Jeanne  
 B.P. 5  
 F-60128 Pleilly  
 ☎ +33 3 44633525  
 📠 +33 3 44633518  
 Mail: vehiculesdeloisirs@dometic.fr

**HONG KONG****Dometic Group Asia Pacific**

Suites 2207-11 / 22/F - Tower 1  
 The Gateway - 25 Canton Road,  
 Tsim Sha Tsui - Kowloon  
 ☎ +852 2 4611386  
 📠 +852 2 4665553  
 Mail: info@waeco.com.hk

**HUNGARY****Dometic Zrt. Sales Office**

Kerekgyártó u. 5.  
 H-1147 Budapest  
 ☎ +36 1 468 4400  
 📠 +36 1 468 4401  
 Mail: budapest@dometic.hu

**ITALY****Dometic Italy S.r.l.**

Via Virgilio, 3  
 I-47122 Forlì (FC)  
 ☎ +39 0543 754901  
 📠 +39 0543 754983  
 Mail: vendite@dometic.it

**JAPAN****Dometic KK**

Maekawa-Shibaura, Bldg. 2  
 2-13-9 Shibaura Minato-ku  
 Tokyo 108-0023  
 ☎ +81 3 5445 3333  
 📠 +81 3 5445 3339  
 Mail: info@dometic.jp

**MEXICO****Dometic Mx, S. de R. L. de C. V.**

Circuito Médicos No. 6 Local 1  
 Colonia Ciudad Satélite  
 CP 53100 Naucalpan de Juárez  
 Estado de México  
 ☎ +52 55 5374 4108  
 📠 +52 55 5393 4683  
 Mail: info@dometic.com.mx

**NETHERLANDS****Dometic Benelux B.V.**

Ecustraet 3  
 NL-4879 NP Etten-Leur  
 ☎ +31 76 5029000  
 📠 +31 76 5029019  
 Mail: info@dometic.nl

**NEW ZEALAND****Dometic New Zealand Ltd.**

PO Box 12011  
 Penrose  
 Auckland 1642  
 ☎ +64 9 622 1490  
 📠 +64 9 622 1573  
 Mail: customerservices@dometic.co.nz

**NORWAY****Dometic Norway AS**

Østerøyveien 46  
 N-3232 Sandefjord  
 ☎ +47 33428450  
 📠 +47 33428459  
 Mail: firmapost@dometic.no

**POLAND****Dometic Poland Sp. z o.o.**

Ul. Puławska 435A  
 PL-02-801 Warszawa  
 ☎ +48 22 414 3200  
 📠 +48 22 414 3201  
 Mail: info@dometic.pl

**PORTUGAL****Dometic Spain, S.L.**

Branch Office em Portugal  
 Rot. de São Gonçalo nº 1 – Esc. 12  
 2775-399 Carcavelos  
 ☎ +351 219 244 173  
 📠 +351 219 243 206  
 Mail: info@dometic.pt

**RUSSIA****Dometic RUS LLC**

Komsomolskaya square 6-1  
 RU-107140 Moscow  
 ☎ +7 495 780 79 39  
 📠 +7 495 916 56 53  
 Mail: info@dometic.ru

**SINGAPORE****Dometic Pte Ltd**

18 Boon Lay Way 06-140 Trade Hub 21  
 Singapore 609966  
 ☎ +65 6795 3177  
 📠 +65 6862 6620  
 Mail: dometic@dometic.com.sg

**SLOVAKIA****Dometic Slovakia s.r.o. Sales Office Bratislava**

Nádražná 34/A  
 900 28 Ivanka pri Dunaji  
 ☎/📠 +421 2 45 529 680  
 Mail: bratislava@dometic.com

**SOUTH AFRICA****Dometic (Pty) Ltd.****Regional Office****South Africa & Sub-Saharan Africa**

2 Avalon Road  
 West Lake View Ext 11  
 Modderfontein 1645  
 Johannesburg  
 ☎ +27 11 4504978  
 📠 +27 11 4504976  
 Mail: info@dometic.co.za

**SPAIN****Dometic Spain S.L.**

Avda. Sierra del Guadarrama, 16  
 E-28691 Villanueva de la Cañada  
 Madrid  
 ☎ +34 91 833 60 89  
 📠 +34 900 100 245  
 Mail: info@dometic.es

**SWEDEN****Dometic Scandinavia AB**

Gustaf Melins gata 7  
 S-42131 Västra Frölunda  
 ☎ +46 31 7341100  
 📠 +46 31 7341101  
 Mail: info@dometicgroup.se

**SWITZERLAND****Dometic Switzerland AG**

Riedackerstrasse 7a  
 CH-8153 Rümlang  
 ☎ +41 44 8187171  
 📠 +41 44 8187191  
 Mail: info@dometic.ch

**UNITED ARAB EMIRATES****Dometic Middle East FZCO**

P. O. Box 17860  
 S-D 6, Jebel Ali Freezone  
 Dubai  
 ☎ +971 4 883 3858  
 📠 +971 4 883 3868  
 Mail: info@dometic.ae

**UNITED KINGDOM****Dometic UK Ltd.**

Dometic House, The Brewery  
 Blandford St. Mary  
 Dorset DT11 9LS  
 ☎ +44 344 626 0133  
 📠 +44 344 626 0143  
 Mail: customerservices@dometic.co.uk

**USA****Dometic RV Division**

1120 North Main Street  
 Elkhart, IN 46515  
 ☎ +1 574-264-2131